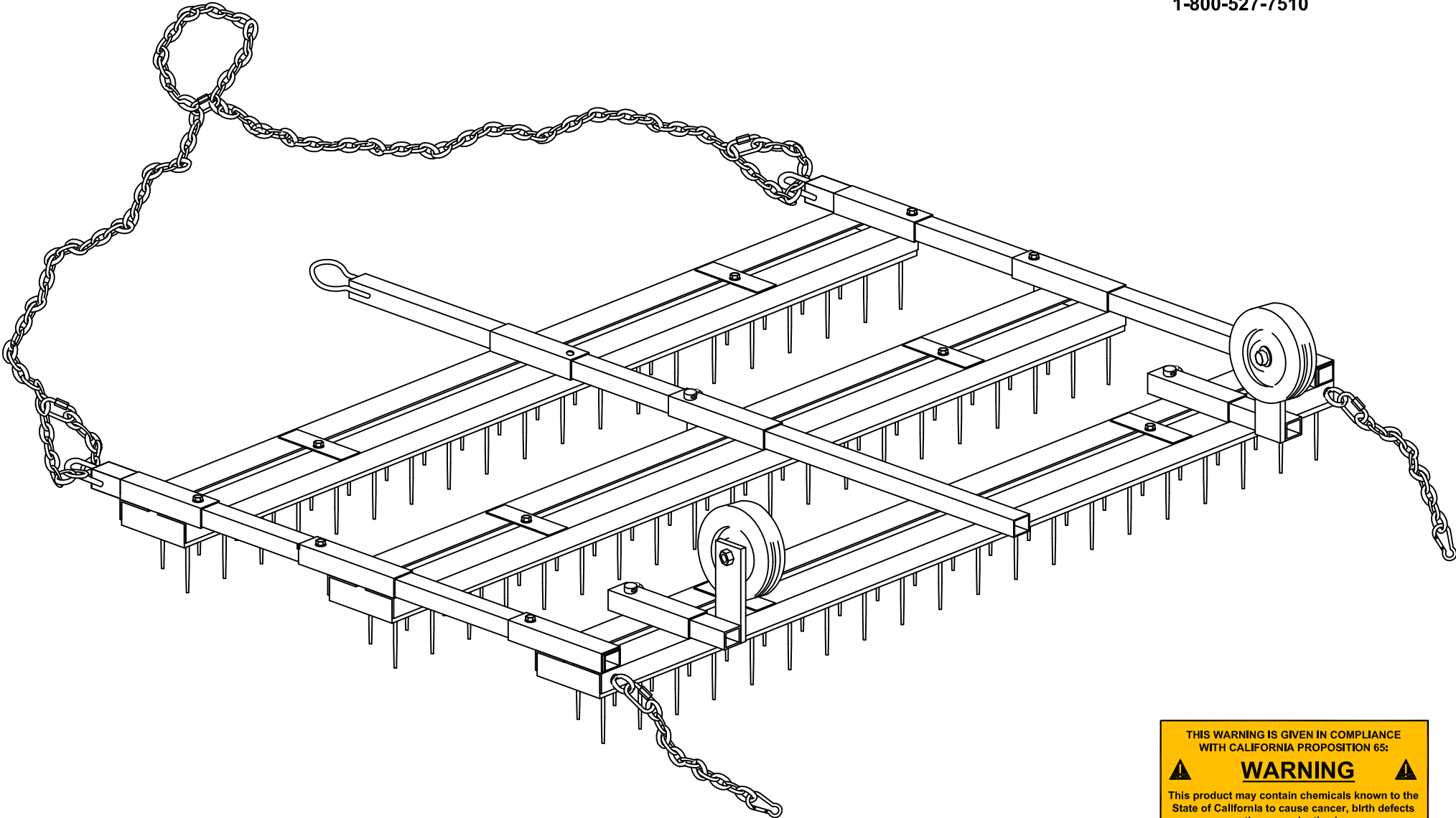


NAIL DRAG FRAME



1-800-527-7510



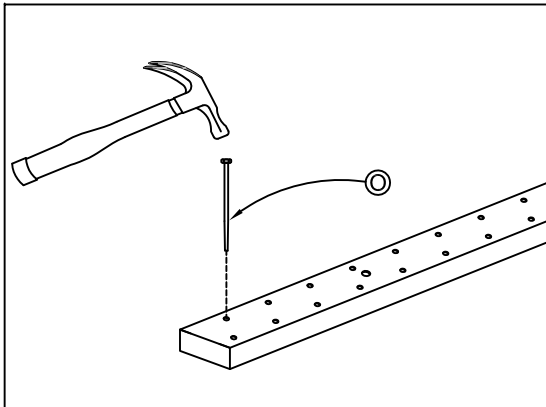
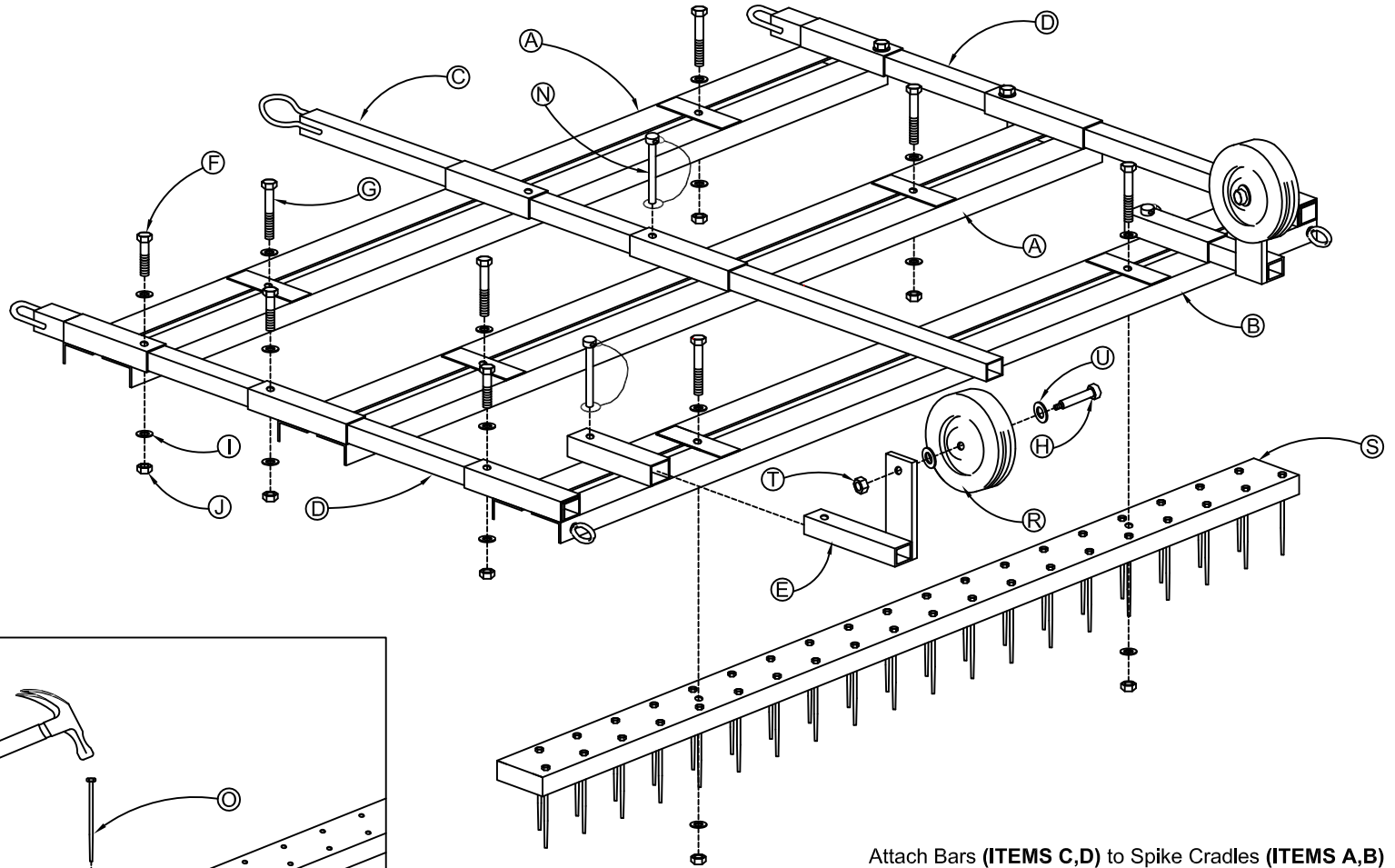
THIS WARNING IS GIVEN IN COMPLIANCE WITH CALIFORNIA PROPOSITION 65:

WARNING

This product may contain chemicals known to the State of California to cause cancer, birth defects or other reproductive harm.

NAIL DRAG FRAME

ITEM	DESCRIPTION	QTY
A	SPIKE CRADLE	2 EA
B	REAR SPIKE CRADLE	1 EA
C	46" SQUARE TOW BAR	1 EA
D	39" SQUARE BAR	2 EA
E	WHEEL BRACKET L & R	2 EA
F	HEX BOLT 10 MM X 60 MM	6 EA
G	HEX BOLT 10 MM X 70 MM	6 EA
H	WHEEL BOLT 12 MM X 70 MM	2 EA
I	FLAT WASHER 10 MM	24 EA
J	NYLON LOCKNUT 10 MM	12 EA
L	SNAP LINK	2 EA
M	QUICK LINK	5 EA
N	WIRE LOCK PIN	3 EA
O	NAIL	117 EA
P	10' PULL CHAIN	1 EA
Q	9" COIL CHAIN	2 EA
R	8" WHEEL	2 EA
S	SPIKE BOARD	3 EA
T	NYLON LOCKNUT 12 MM	2 EA
U	FLAT WASHER 12 MM	4 EA



Drive the Nails (ITEM O) into the Spike Boards (ITEM S) and set aside. We recommend using a 2 lb hammer.

Attach Bars (ITEMS C,D) to Spike Cradles (ITEMS A,B) using Hex Bolt, Flat Washer and Locknut (ITEMS F,I,J).

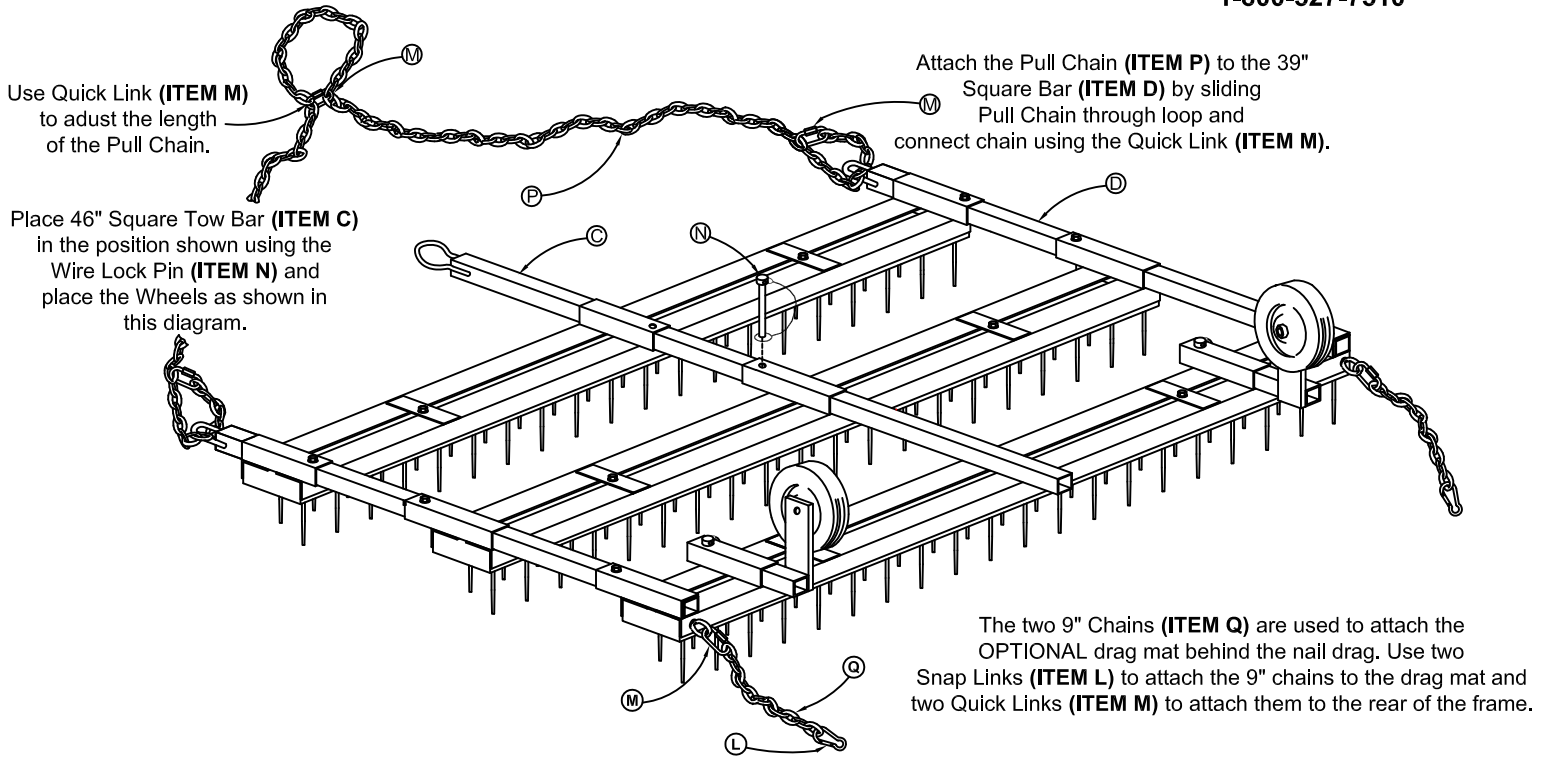
Attach Spike Boards (ITEM S), to Spike Cradles (ITEMS A,B) using Hex Bolt, Flat Washer and Locknut (ITEMS G,I,J).

Attach Wheels (ITEM R) to Wheel Bracket (ITEM E) using Wheel Bolt (ITEM H).

NAIL DRAG FRAME



DRAGGING POSITION



TOWING POSITION

