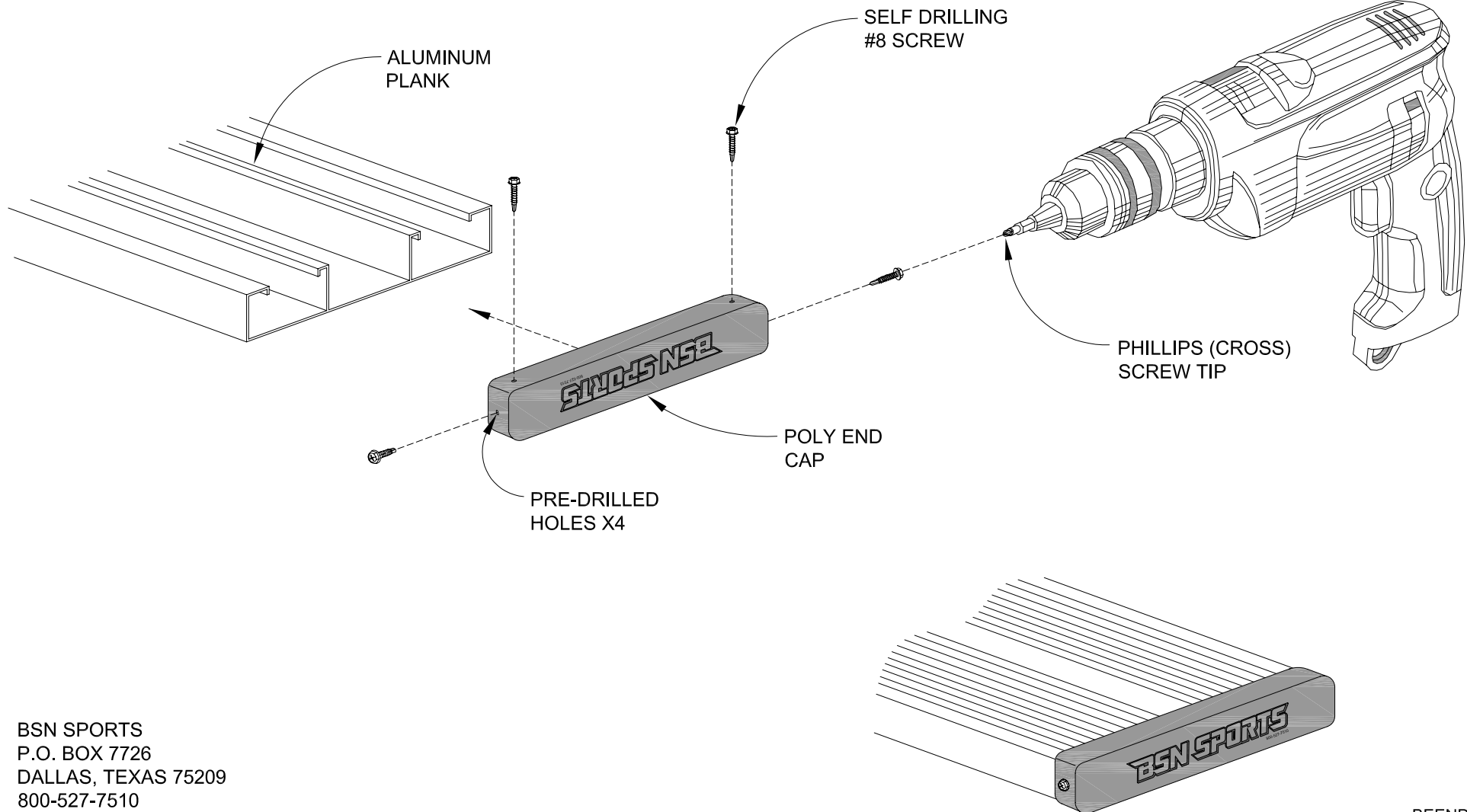


# POLY END CAP ASSEMBLY

- 1) TAP POLY END CAP ON TO END OF BLEACHER PLANK USING A RUBBER Mallet.
- 2) USING A DRILL WITH A PHILLIPS TIP (CROSS) LINE UP SELF DRILLING SCREW WITH PRE-DRILLED HOLES IN POLY CAP.
- 3) DRIVE ALL 4 SCREWS INTO THE ALUMINUM PLANK UNTIL SECURE. DO NOT OVER TIGHTEN.

**⚠ WARNING ⚠**  
END CAP MUST BE ATTACHED TO ALUMINUM PLANKS AT ALL TIMES. CHECK CONDITION OF END CAPS PERIODICALLY. FAILURE TO FOLLOW THIS WARNING COULD CAUSE INJURY.



BSN SPORTS  
P.O. BOX 7726  
DALLAS, TEXAS 75209  
800-527-7510  
BSNSPORTS.COM