

FEATURES:

1) ALUMINUM POSTS, CROSSBAR, GROUND FRAME, AND BACK POLES

2) FINISH:

GOAL FRAME - WHITE POWDER COAT

BACK POLES - BLACK POWDER COAT

3) INCLUDES:

3mm WHITE NET

KWIK LOCK® NET CLIPS

2 HEIGHT ADJUSTABLE GOAL POSTS

5 GROUND SLEEVES WITH CAPS

WORLD COMPETITION NET FRAME

4) ASSEMBLED WEIGHT: APPROX. 226 LBS.

5) INDEPENDENTLY CERTIFIED TO MEET:

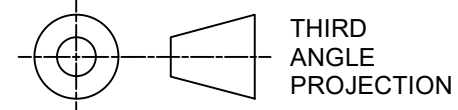
ASTM F2950-14 STANDARDS

GLOBAL QUALITY PROGRAM STANDARDS

6) EXCEEDS:

NCAA SPECIFICATIONS

NFSHA SPECIFICATIONS



THIRD
ANGLE
PROJECTION



KWIKGOAL® 140 Pacific Drive
Quakertown,
Pa. 18951

DIMENSIONS ARE IN INCHES
UNLESS OTHERWISE SPECIFIED

Approved By:

Drawing #:

Date:

2B8006

This item is the **confidential**
property of **KWIK GOAL LTD.**
Reproduction or duplication
without the express written
consent of **KWIK GOAL LTD.**
is **strictly forbidden.**

Drawn By: JSchnabel

Desc:

Date: 10/31/2024

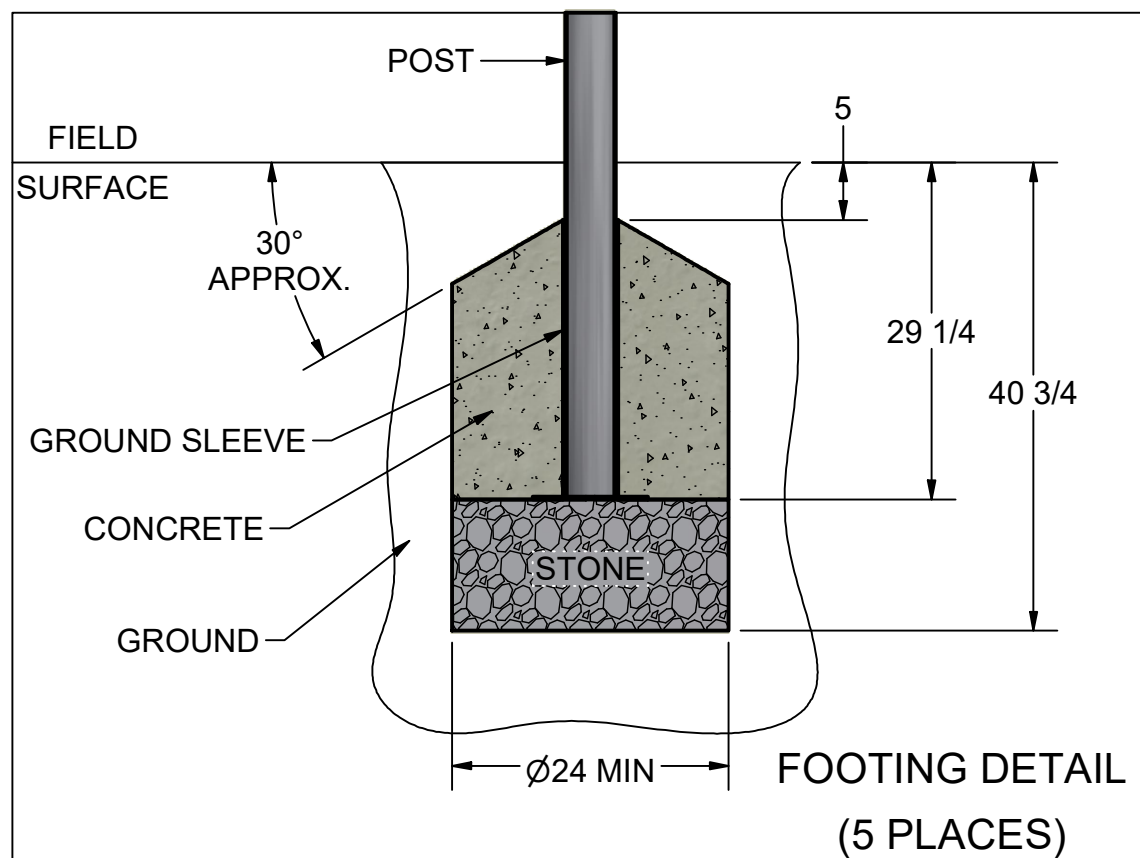
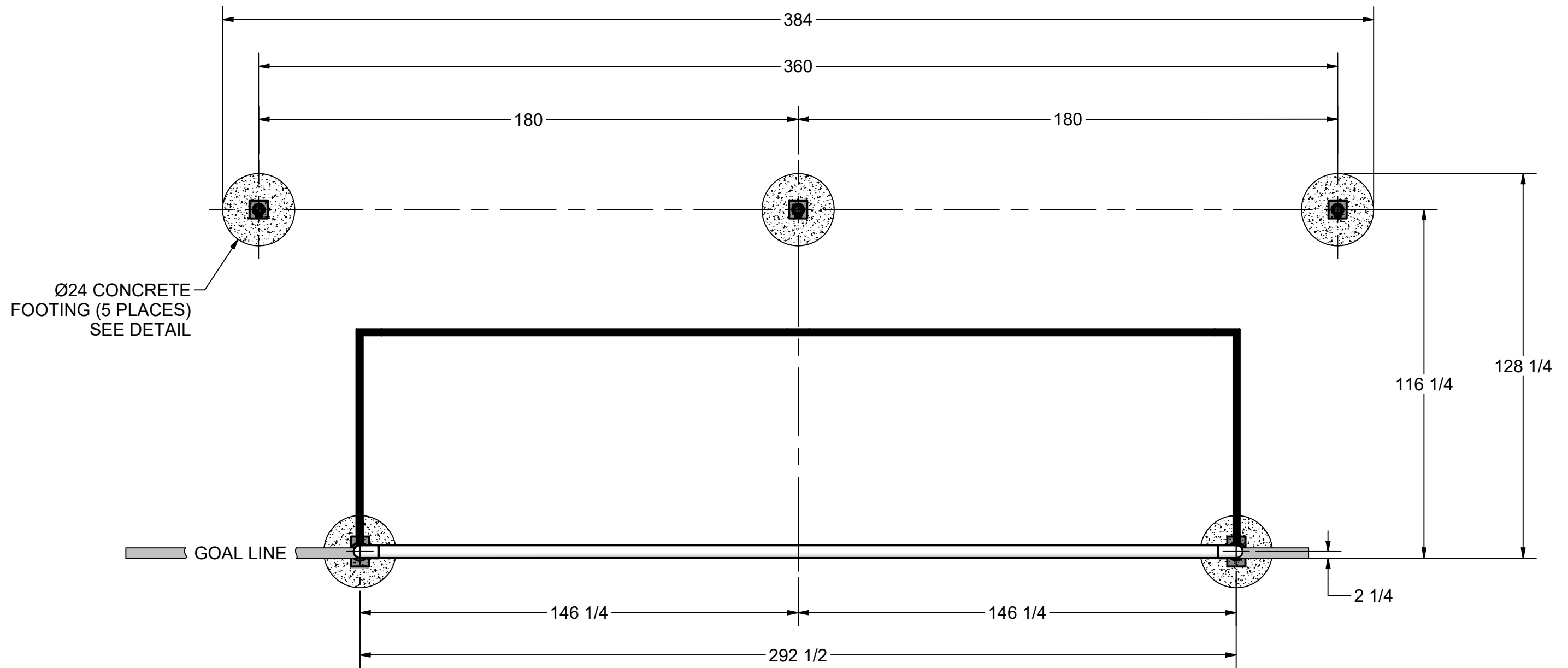
PRO PREMIER HEIGHT
ADJUSTABLE WORLD
COMPETITION GOAL

Sheet: 1 of 4

Revision #:

Cad File: 2B8006.idw

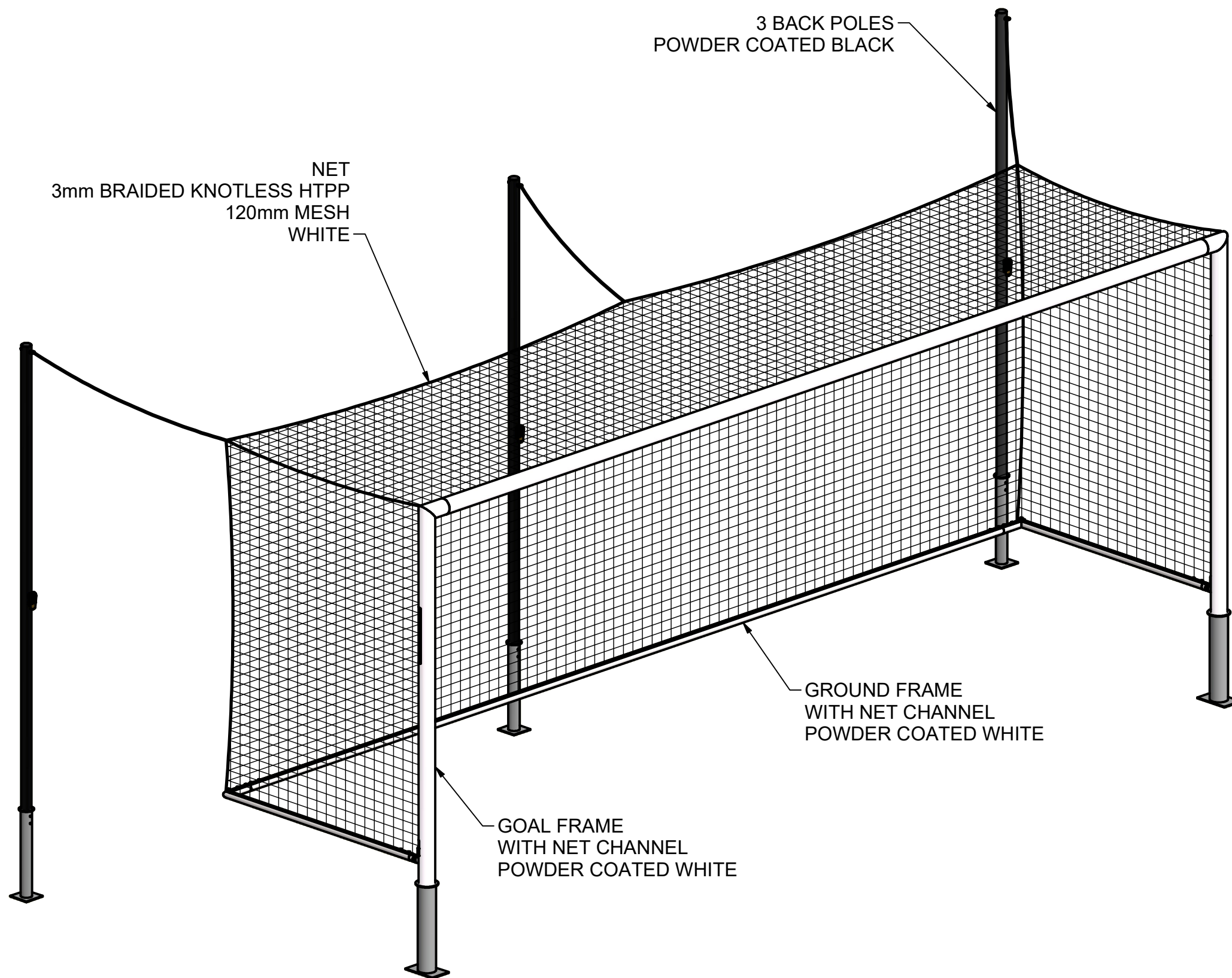
OVERHEAD VIEW



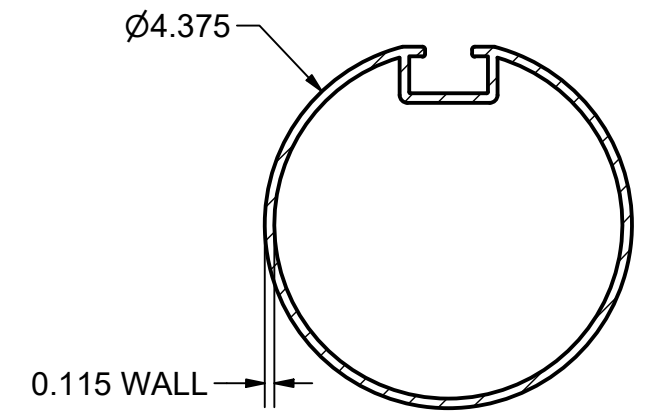
NOTES:

- 1) DIMENSIONS ARE FOR PLANNING PURPOSES. INSTALLATION MUST BE IN ACCORDANCE WITH INSTALLATION INSTRUCTIONS.
- 2) CUSTOMER SUPPLIED MATERIALS FOR GOAL INSTALLATION
 - 1.0 cubic yard - CONCRETE
 - 0.6 cubic yard - CLEAN STONE (1/4" - 3/4")
 ABOVE AMOUNTS ARE PER GOAL INSTALLATION

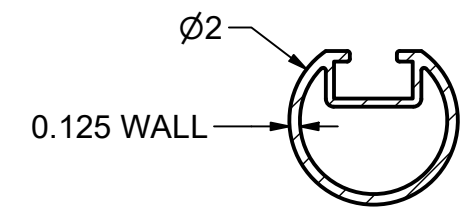
THIRD ANGLE PROJECTION	140 Pacific Drive Quakertown, Pa. 18951	
	DIMENSIONS ARE IN INCHES UNLESS OTHERWISE SPECIFIED	Approved By: Date:
This item is the confidential property of KWIK GOAL LTD. Reproduction or duplication without the express written consent of KWIK GOAL LTD. is strictly forbidden.	Drawn By: JSchnabel	Desc: PRO PREMIER HEIGHT ADJUSTABLE WORLD COMPETITION GOAL
	Date: 10/31/2024	
	Sheet: 2 of 4	
	Revision #:	
Cad File: 2B8006.idw		



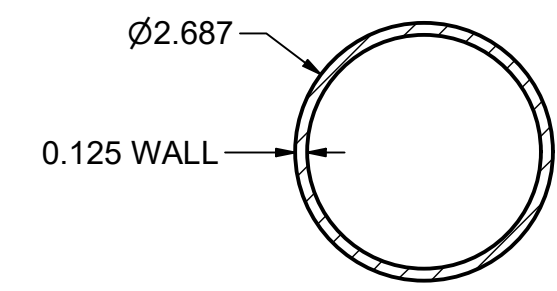
MATERIAL DETAILS



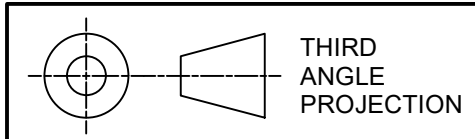
GOAL FRAME
MATERIAL - ALUMINUM



GROUND FRAME
MATERIAL - ALUMINUM



BACK POLES
MATERIAL - ALUMINUM



KWIKGOAL® 140 Pacific Drive
Quakertown,
Pa. 18951

DIMENSIONS ARE IN INCHES
UNLESS OTHERWISE SPECIFIED

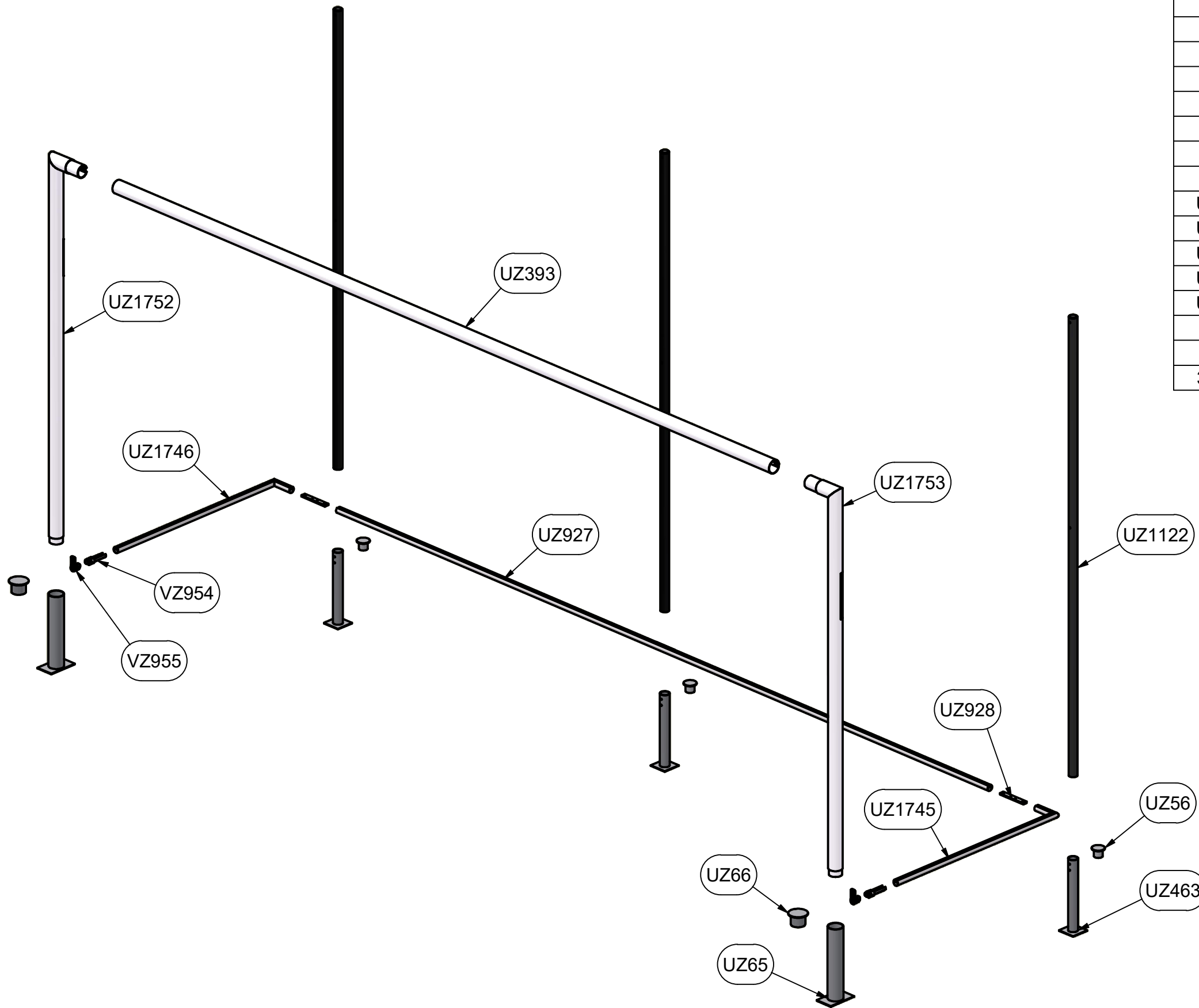
Approved By:
Date:

Drawing #:
2B8006

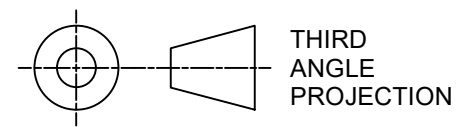
This item is the **confidential**
property of **KWIK GOAL LTD.**
Reproduction or duplication
without the express written
consent of **KWIK GOAL LTD.**
is **strictly forbidden.**

Drawn By: JSchnabel
Date: 10/31/2024
Sheet: 3 of 4
Revision #:
Cad File: 2B8006.idw

Desc:
PRO PREMIER WORLD
COMPETITION HEIGHT
ADJUST GOAL



PARTS LIST		
PART#	QTY	DESCRIPTION
UZ56	3	BACKPOLE GROUND SLEEVE CAP
UZ65	2	POST GROUND SLEEVE
UZ66	2	POST GROUND SLEEVE CAP
UZ393	1	CROSSBAR
UZ463	3	BACKPOLE GROUND SLEEVE
UZ927	1	GRND FRAME CROSSBAR
UZ928	2	TUBE CONNECTOR PLATE
UZ1122	3	BACK POLE
UZ1745	1	RIGHT BASE MATCH GOAL
UZ1746	1	LEFT BASE MATCH GOAL
UZ1752	1	POST LT PWDR WHT
UZ1753	1	POST RT PWDR WHT
VZ954	2	GRND FRAME HINGE BASE
VZ955	2	GRND FRAME HINGE 4-3/8" POST
3B1502	1	NET, SOCCER GOAL



THIRD ANGLE PROJECTION

KWIKGOAL® 140 Pacific Drive
Quakertown, Pa. 18951

DIMENSIONS ARE IN INCHES UNLESS OTHERWISE SPECIFIED

Approved By:
Date:

Drawing #: **2B8006**

This item is the **confidential** property of **KWIK GOAL LTD.** Reproduction or duplication **without** the express written consent of **KWIK GOAL LTD.** is **strictly forbidden.**

Drawn By: JSchnabel
Date: 10/31/2024
Sheet: 4 of 4
Revision #:
Cad File: 2B8006.idw

Desc: PRO PREMIER HEIGHT ADJUSTABLE WORLD COMPETITION GOAL