



PORTABLE COOLING SYSTEMS



1-800-527-7510



ASSEMBLY OF YOUR SPORTS COOL



- STEP 1)** Unpack the Fan Assembly (*item C*) and Frame Assembly (*item A*), set the Frame Assembly on a level surface. Bolt the Fan to the Frame using Bolts, Washers and Locknuts as shown in Detail 1.
- STEP 2)** Attach the Mist Ring (*item D*) to the front fan guard with 9 nylon tie wraps (*item L*) as shown.
- STEP 3)** Insert Mist nozzles (*item N*) into the Mist Ring. **NOTE:** Leave the last 2 nozzels out until the system is purged on a later step.
- STEP 4)** Next connect the Poly Water Tube (*item M*) to the Slip-Lock Fitting on the Mist Ring. Push the tube into the fitting firmly until it bottoms out and pull back on the tube to test the connection.

START UP OPERATING INSTRUCTIONS

- STEP 1)** Fill the Water Tank (*item B*) with clean water. Ice can be added for a cooler mist.
- STEP 2)** Plug the Male Plug from the Fan Motor into the Female Plug on top of the Pump Housing (*item K*).
- STEP 3)** Plug the GFCI Male Plug on bottom of the Pump Housing to a proper guage extension cord. See Chart for proper gauge cord selection. Then plug extension cord into power source.
- STEP 4)** Press Reset Button On GFCI Plug.
- STEP 5)** Purge the water lines by turning on the Pump Switch located on top of the Pump Housing. Let the water run for approximately 30 seconds until all air has been purged from system. Turn off Pump Switch and replace the last 2 Mist Nozzels now.

DRAINING AND STORAGE INSTRUCTIONS

If unit is not going to be used in over a week it is suggested to drain the tank and system.

- STEP 1)** Remove the last 2 Mist Nozzels from Mist Ring and turn on Pump. At the same time you can also drain water from the drain valve at the bottom of tank to expedite this process.
- STEP 2)** When all the water is drained from the system shut off the Pump and disconnect from power supply. Now replace the 2 Mist Nozzels.

TROUBLE SHOOTING

Pump doesn't run or fan doesn't run when switch is turned on.

- Check electrical connections including GFCI reset.
- Does the on/off switch feel weak?
- Check in-line fuse.

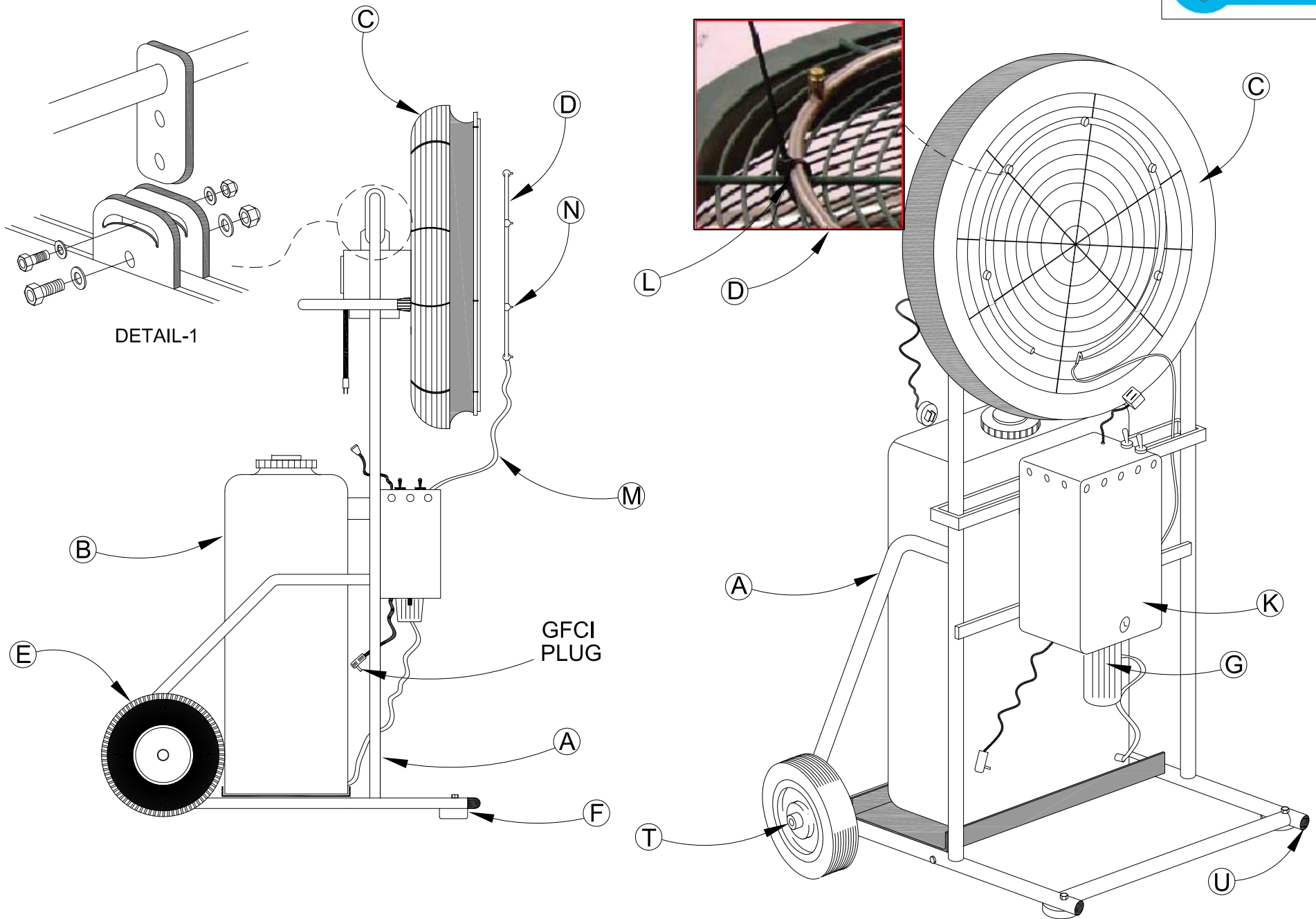
Pump runs but system doesn't pressurize and no mist.

- Check fluid hose connections.
- Remove and clean Water Filter.
- Replace all Mister Nozzles.

PARTS LIST

ITEM	DESCRIPTION	PART #
A	FRAME ASSEMBLY	ZSPCFRMXXX
B	WATER TANK 20 GAL.	ZX1510006
C	FAN & MOTOR ASSEMBLY	ZX3930033
D	MIST RING	ZX3920060
E	10" WHEEL	ZX2800012
F	BUMPER FOOT	ZX1510002
G	FILTER HOUSING & CARTRIDGE	1375083
K	PUMP ASSEMBLY	ZMPUMPA
L	NYLON TIE WRAPS	ZX3900011
M	HP POLY WATER TUBE	
N	MIST NOZZELS	ZX3920008
O	ADAPTER NIPPLE .75	ZX3920112
P	HOSE WASHER	ZX3920109
Q	.75 CAP	ZX3920108
R	REDUCING NIPPLE .75/.5	ZX3920089
S	CRUTCH TIP	ZX1530001
T	.625 SHAFT COLLAR	Z037062COL
U	PLASTIC PLUG	ZX1500039
V	T-FITTING	ZX3920115

PORTABLE COOLING SYSTEMS



COMMON REPLACEMENT PARTS



CAP .75
PART # ZX3920108
ITEM - Q



ADAPTER NIPPLE .75
PART # ZX3920112
ITEM - O



T-FITTING
PART # ZX3920115
ITEM - V



PUMP ASSEMBLY
PART # ZMPUMPA
ITEM - K



18" MIST RING
PART # ZX3920060
ITEM - D



PORTABLE COOLING SYSTEM

CAUTION: IT IS IMPORTANT TO USE AN EXTENSION CORD OF THE PROPER WIRE GAUGE SIZE. USING A CORD THAT HAS A WIRE GAUGE SMALLER THAN THE MINIMUM LISTED BELOW CAN RESULT IN OVERHEATING, POOR PERFORMANCE OR MOTOR BURNOUT. USE THE FOLLOWING CHART TO DETERMINE THE PROPER GAUGE SIZE OF YOUR EXTENSION CORD.

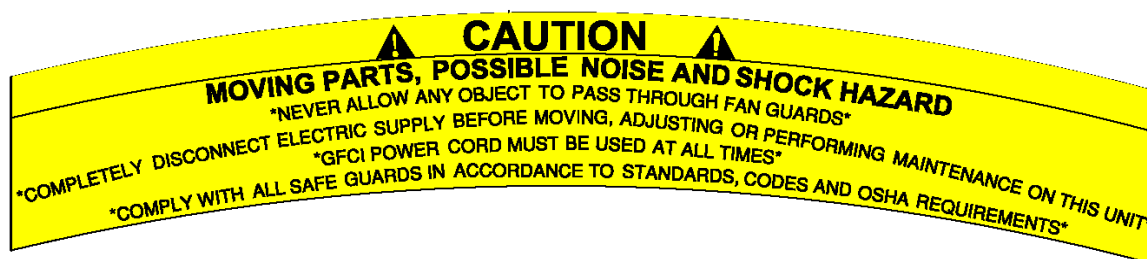
Length	Minimum Gauge of Wire
25 feet	16
50 feet	14
100 feet	12
150 feet	10
200 feet	8

* **DO NOT** RUN PUMP DRY, THIS COULD CAUSE DAMAGE TO PUMP.



WARNING

SHOCK HAZARD - USE AND STORE IN DRY LOCATIONS ONLY
NEVER USE IN RAIN.



BSN SPORTS™
1-800-527-7510