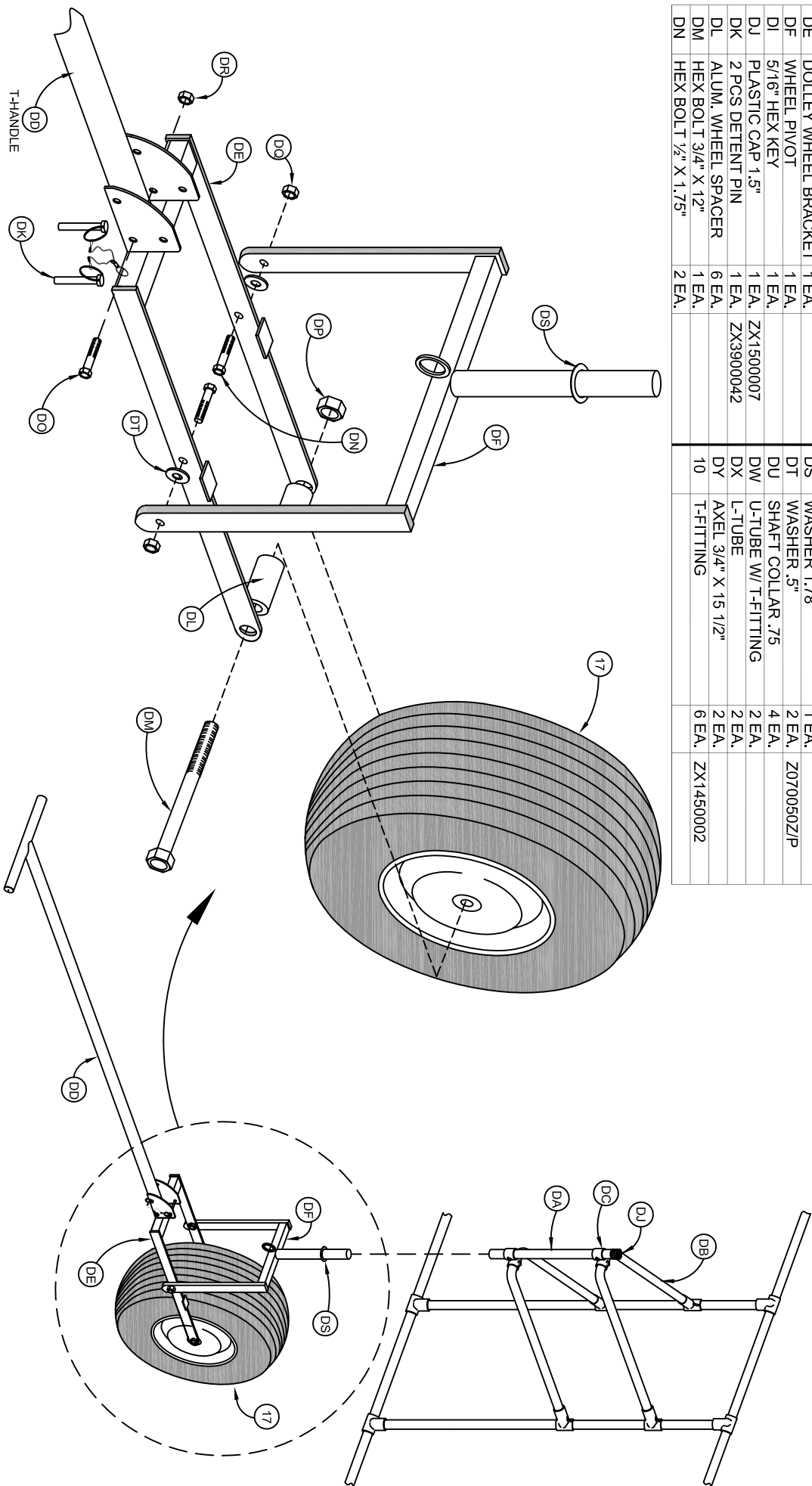


# TRANSPORT DOLLEY

## PARTS LIST

ITEM	DESCRIPTION	QTY	PART #	ITEM	DESCRIPTION	QTY	PART #
DA	PIVOT TUBE 16"	1 EA.		DO	HEX BOLT 3/8" X 2.25"	1 EA.	ZX3600024
DB	V - TUBE	2 EA.		DP	LOCK NUT 3/4"	1 EA.	Z060500NLN
DC	CROSSOVER FITTING	2 EA.		DQ	LOCK NUT 1/2"	2 EA.	Z060375-16
DD	DOLLEY T-HANDLE	1 EA.		DR	LOCK NUT 3/8"	1 EA.	Z070050Z/P
DE	DOLLEY WHEEL BRACKET	1 EA.		DS	WASHER 1.78"	1 EA.	Z070050Z/P
DF	WHEEL PIVOT	1 EA.		DT	WASHER .5"	2 EA.	Z070050Z/P
DI	5/16" HEX KEY	1 EA.		DU	SHAFT COLLAR .75"	4 EA.	
DJ	PLASTIC CAP 1.5"	1 EA.	ZX1500007	DW	U-TUBE W/ T-FITTING	2 EA.	
DK	2 PCS DETENT PIN	1 EA.	ZX3900042	DX	L-TUBE	2 EA.	
DL	ALUM. WHEEL SPACER	6 EA.		DY	AXEL 3/4" X 15 1/2"	2 EA.	
DM	HEX BOLT 3/4" X 12"	1 EA.		DZ	T-FITTING	6 EA.	ZX1450002
DN	HEX BOLT 1/2" X 1.75"	2 EA.					



REAR SECTION OF BATTING CAGE

## TRANSPORT DOLLEY USAGE

- STEP 1)** HOLD HANDLE WHILE REMOVING PIN FROM "STATIONARY POSITION" LOWER HANDLE TO THE "LIFTING POSITION" AND INSERT PIN.
- STEP 2)** LIFT HANDLE TO THE "TRANSPORT LOCKING POSITION" AND INSERT THE SECOND PIN. YOU ARE NOW READY TO SAFELY TRANSPORT YOUR BACKSTOP TO DESTINATION.
- STEP 3)** WHEN DESTINATION IS REACHED, WHILE KEEPING A FIRM GRIP ON HANDLE REMOVE PIN FROM "TRANSPORT LOCKING POSITION" AND SLOWLY LOWER BACKSTOP TO A RESTING POSITION.
- STEP 4)** NOW RETURN HANDLE TO THE "STATIONARY POSITION" AND INSERT PIN.

### CAUTION

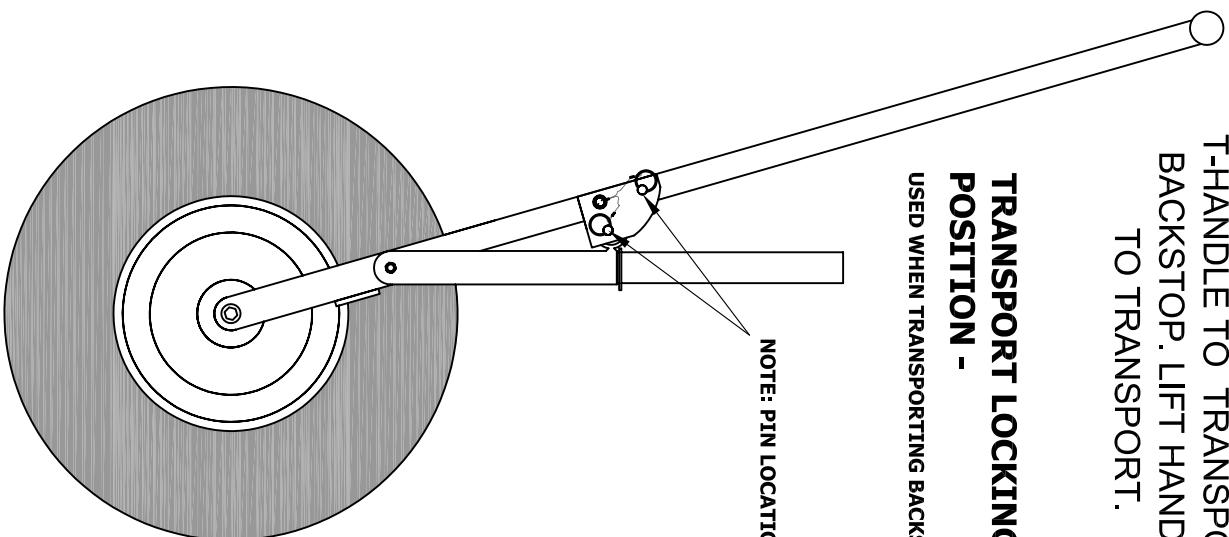
THIS TRANSPORT DOLLEY IS LIFTING A LARGE AMOUNT OF WEIGHT AND SHOULD BE USED BY ADULTS ONLY. MANUFACTURE IS NOT RESPONSIBLE FOR MISUSE OF THIS PRODUCT.

## **▲ IMPORTANT ▲**

DO NOT PUSH DOWN ON T-HANDLE TO TRANSPORT BACKSTOP. LIFT HANDLE TO TRANSPORT.

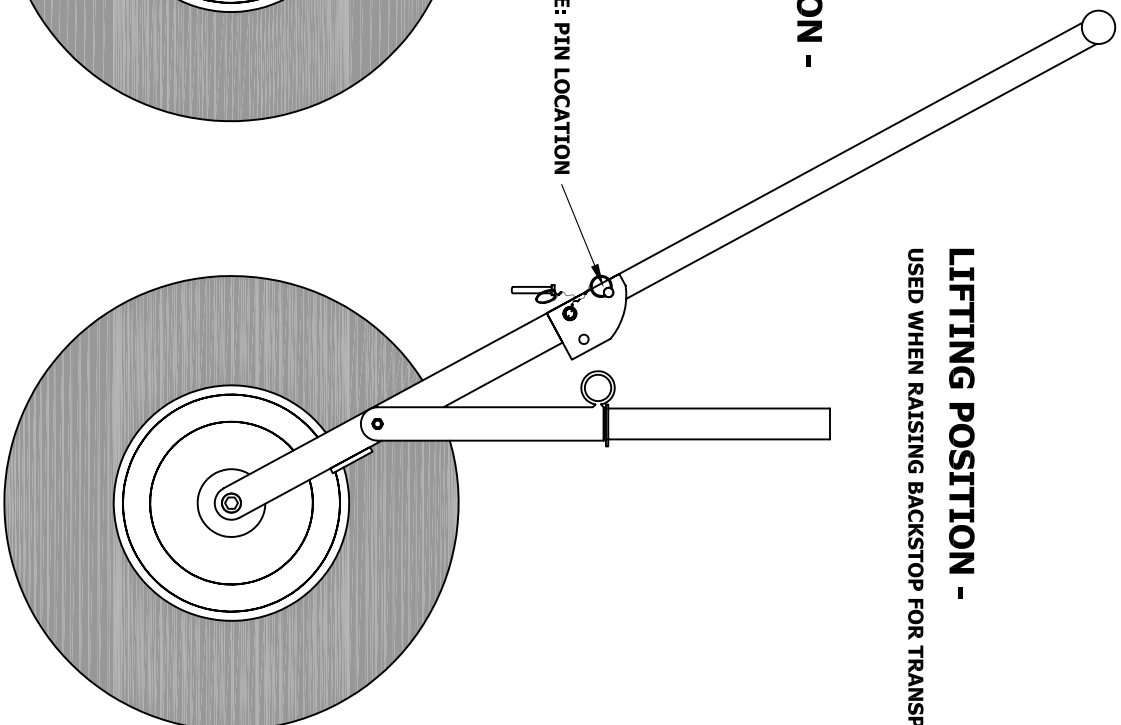
### **TRANSPORT LOCKING POSITION -**

USED WHEN TRANSPORTING BACKSTOP



### **LIFTING POSITION -**

USED WHEN RAISING BACKSTOP FOR TRANSPORT



### **STATIONARY POSITION -**

WHEN BACKSTOP IS IN USE

