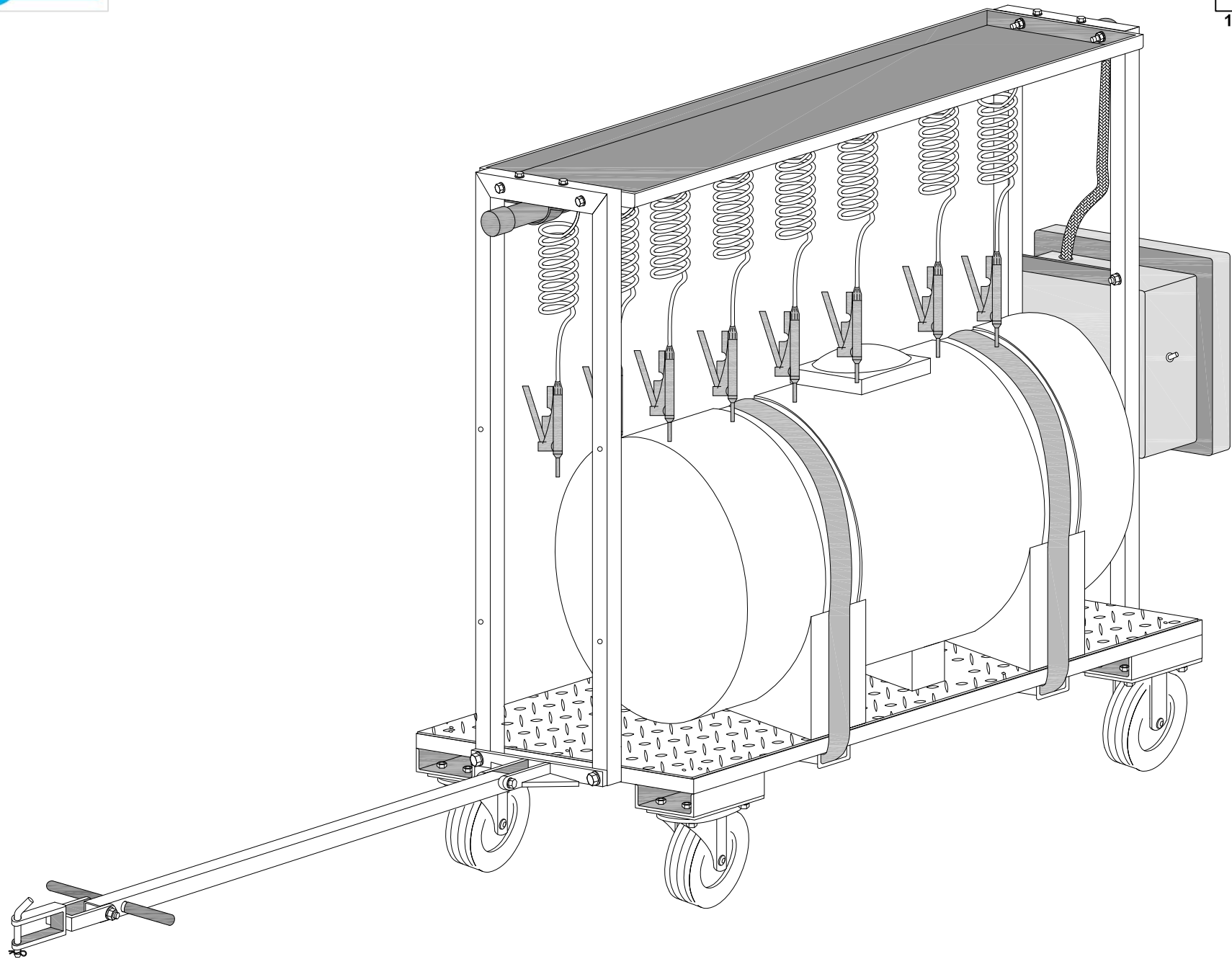




POWER TANKER





PARTS LIST

ITEM	DESCRIPTION	QTY	PART #
A	TOP SHELF	1 EA	
B	U-SHAPE SUPPORT FRAME	2 EA	
D	MANIFOLD CLAMPS	2 EA	
E	HEX BOLT M6 x 40	4 EA	
F	FLAT WASHER M6	8 EA	
G	WATER MANIFOLD	1 EA	ZPTMXA
H	LOCK NUT M6	4 EA	
I	HEX BOLT M8 x 40	4 EA	
J	TANKER POWER PACK	1 EA	ZTPPACK
K	UPPER HOSE 3/8"	1 EA	NSP
L	HOSE CLAMP #6	2 EA	ZX3920077
M	LOWER HOSE 1/2"	1 EA	NSP
N	35 GAL WATER TANK	1 EA	ZPTTANK
O	BATTERY CHARGER 12V	1 EA	ZX3930034
P	WATER WAND ASSEMBLY	8 EA	SPCWAND
Q	TOGGLE SWITCH (FOR PUMP)	1 EA	ZX3930001
R	TIE DOWN STRAP	2 EA	ZX3900040
S	STRAIGHT ADAPTER 1/2" x 3/8"	1 EA	ZX3920113
T	STRAIGHT ADAPTER 1/4" x 1/4"	8 EA	ZX3920107
U	BULK HEAD 3/4"	1 EA	ZX3920114
U1	T FITTING 3/4"	1 EA	ZX3920115
U2	NIPPLE 3/4"	1 EA	ZX3920072
U3	ADAPTER 3/4" MGHT x 3/4" MPT	2 EA	ZX3920112
V	DRAIN CAP	1 EA	ZX3920108
W	CHARGING HARNESS	1 EA	NSP
X	FLAT WASHER M8	8 EA	
Y	6' COIL HOSE	8 EA	ZX3920040
Z	BATTERY 12V - 12AMP	1 EA	SPCBAT
AA	STRAINER	1 EA	ZX3920033
BB	PUMP	1 EA	ZX3920029
CC	1/2" FEMALE PIPE CONNECTOR	1 EA	ZX3920090
DD	3/4" FEMALE HOSE CONNECTOR	1 EA	ZX3920105
EE	LOCK NUT M8	4 EA	
FF	PNEUMATIC SWIVEL CASTER	2 EA	
GG	PNEUMATIC RIGID CASTER	2 EA	
HH	HEX BOLT M10 x 25	16 EA	
II	FLAT WASHER M10	24 EA	
JJ	SPLIT LOCK WASHER M10	16 EA	
KK	HEX BOLT M12 x 70	2 EA	
LL	LOCK NUT M10	4 EA	
MM	HANDLE	1 EA	
NN	HANDLE BRACKET	1 EA	
OO	HEX BOLT M10 x 70	2 EA	
PP	CART DECK	1 EA	
QQ	HITCH PIN	1 EA	
RR	TOWING BRACKET	1 EA	
SS	PHILLIPS BOLT 1/4" x 2"	4 EA	ZX3700072
TT	FLAT WASHER 1/4"	8 EA	Z070025Z/P
UU	LOCK WASHER 1/4"	4 EA	Z072025Z/P
V V	HEX NUT 1/4"	4 EA	ZX3600021
WW	FLAT WASHER M12	4 EA	
XX	LOCK NUT M12	2 EA	
YY	HEX BOLT M10 x 80	2 EA	

CART ASSEMBLY

- 1) Attach all 4 Casters to the Cart Deck (ITEM PP). Rigid Casters (ITEM GG) to the rear and Swivel Casters (ITEM FF) to the front as shown in **Diagram - 1**.
- 2) Attach one U-Shape Support Frame (ITEM B) to the rear of the Cart Deck along with a second U-Shape Support Frame (ITEM B) and Handle Bracket (ITEM NN) to the front of the Cart Deck as shown in **Diagram - 1**.
- 3) Attach Top Shelf (ITEM A) as shown in **Diagram - 1**.
- 4) Attach Handle (ITEM MM) as shown in **Diagram - 1**. Use of the Towing Bracket (ITEM RR) is optional and only needed if you plan to tow the Water Tanker; if you do not plan to tow it then do not assemble it to the Handle.

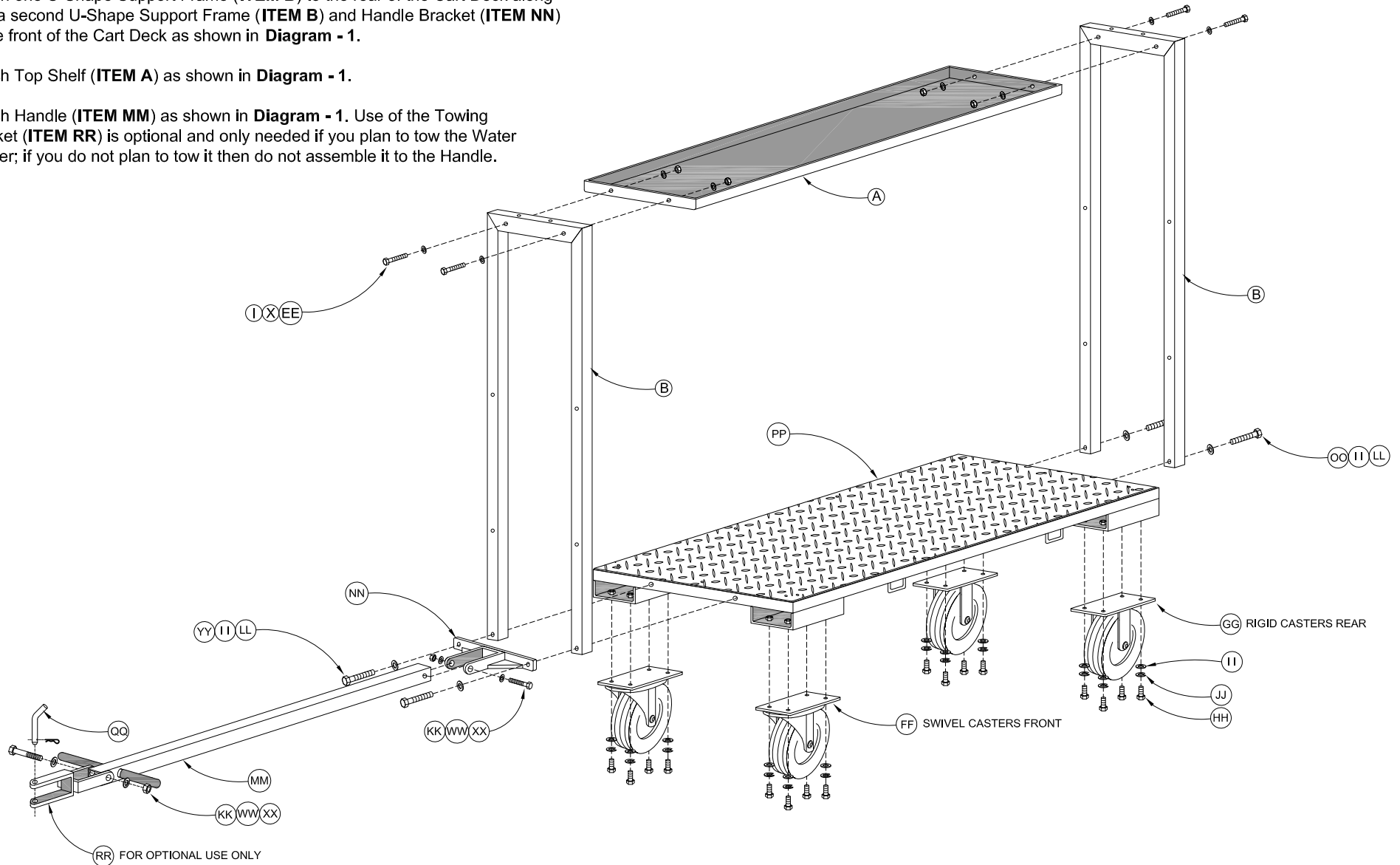




DIAGRAM - 2



1-800-527-7510

POWER PACK TO CART

- 1) Attach Power Pack (ITEM J) to the rear of the Cart as shown in **Diagram - 2**.

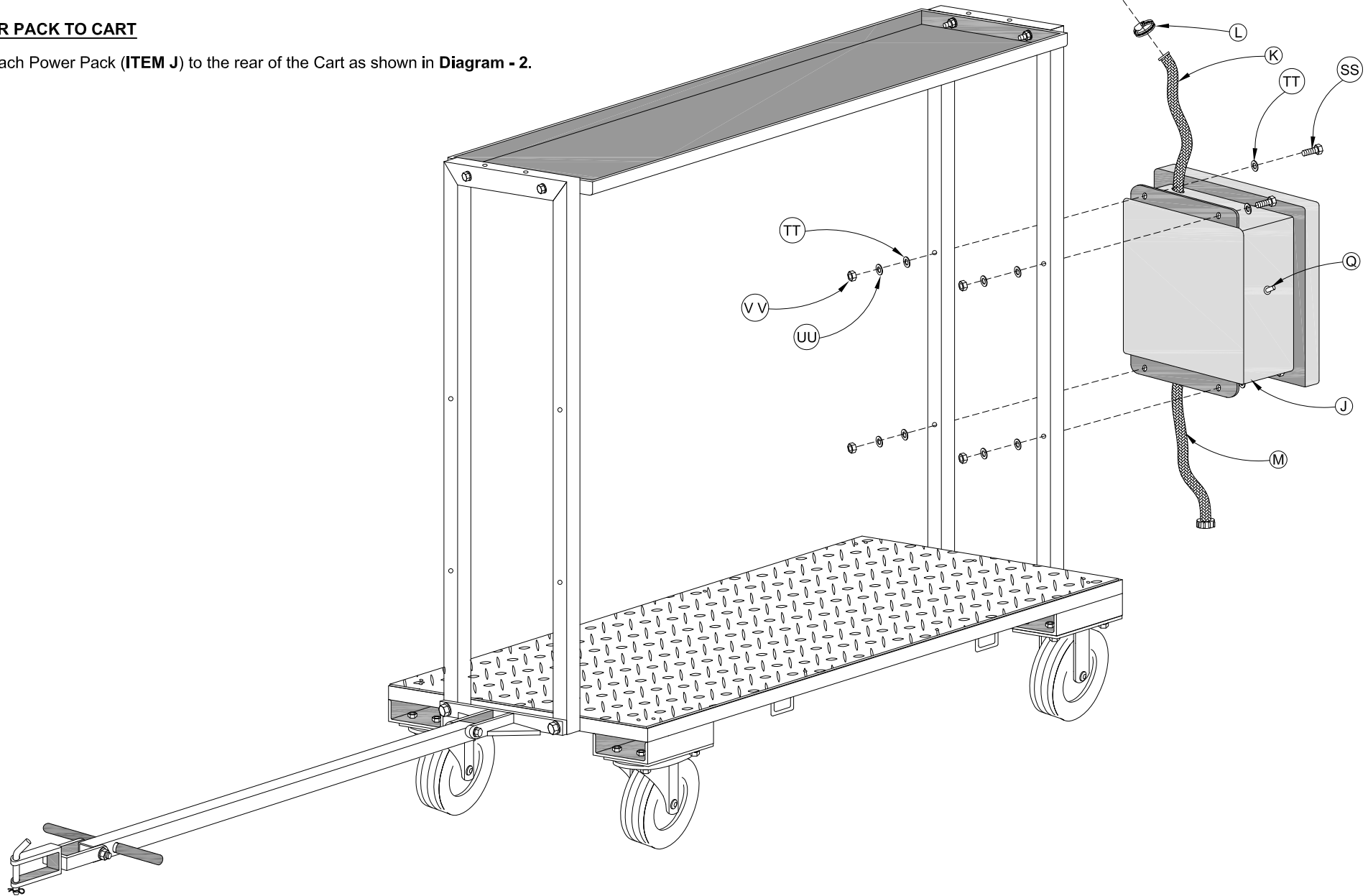


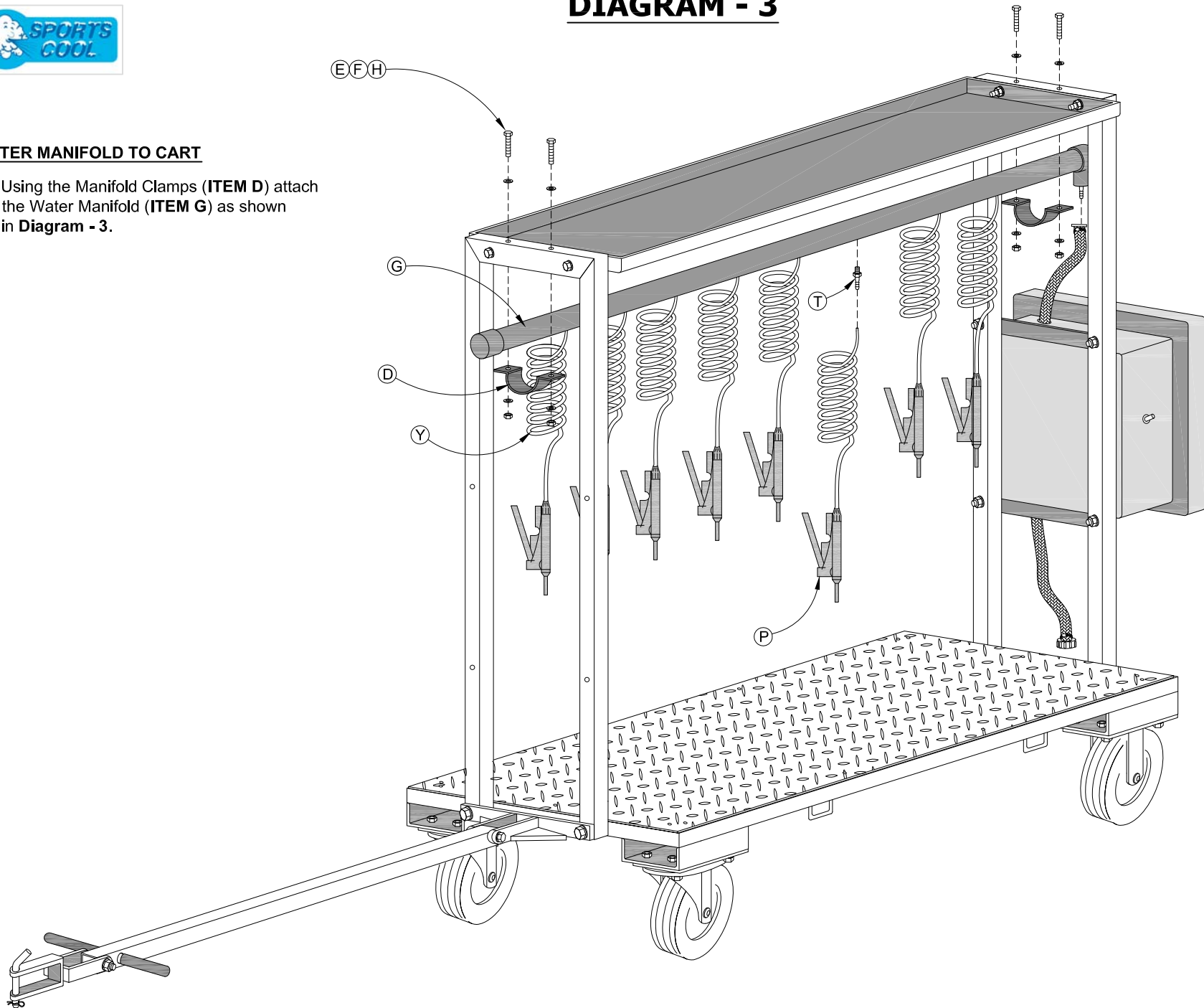


DIAGRAM - 3



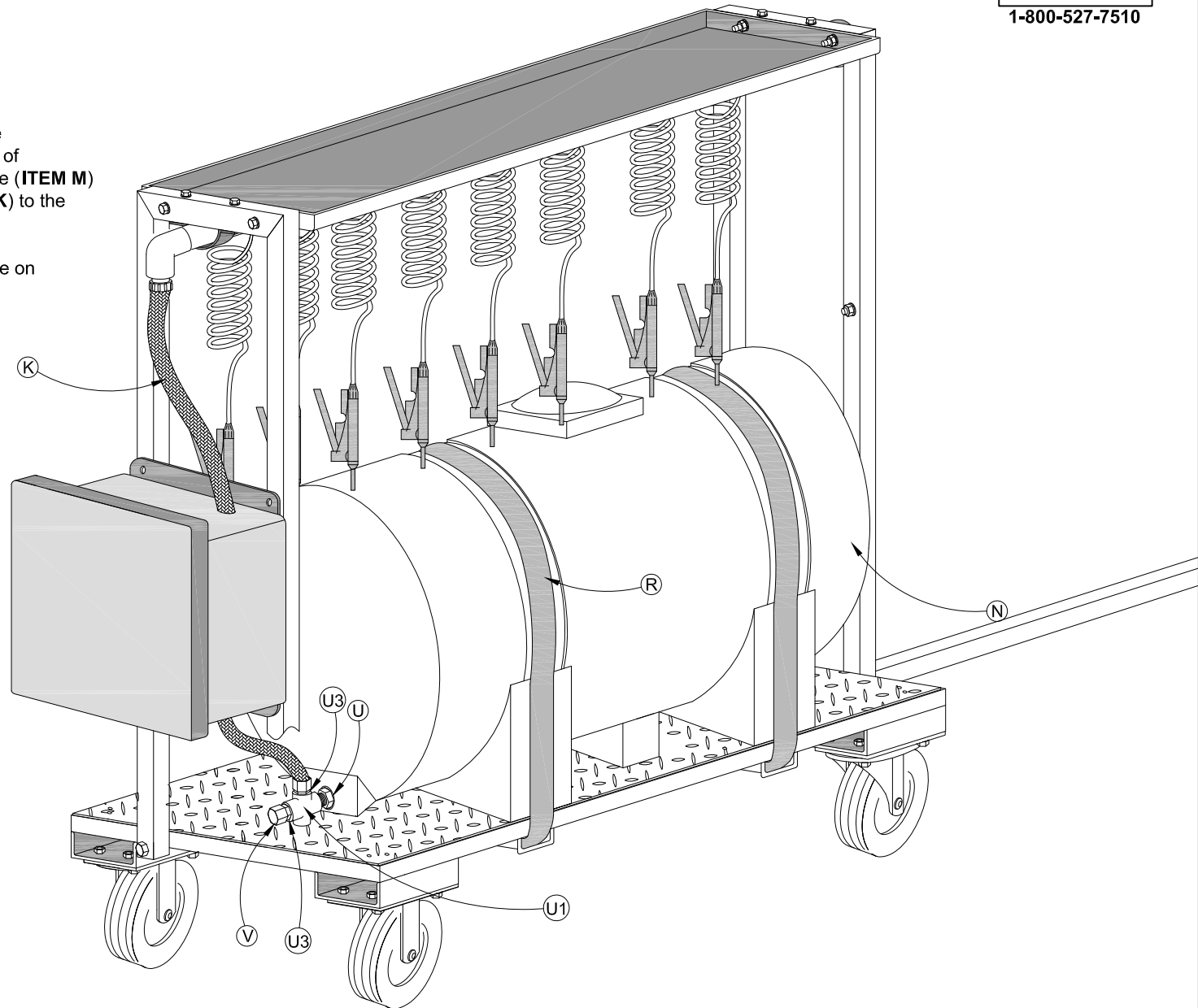
WATER MANIFOLD TO CART

- 1) Using the Manifold Clamps (**ITEM D**) attach the Water Manifold (**ITEM G**) as shown in **Diagram - 3**.



WATER TANK TO CART

- 1) Using the Tie Down Straps (**ITEM R**) mount the Tank (**ITEM N**) to the Cart Deck; excess length of strap can be cut off. Now attach the Lower Hose (**ITEM M**) to the Water Tank and the Upper Hose (**ITEM K**) to the Water Manifold.
- 2) You are now fully assembled and ready to move on to **BATTERY CHARGING INSTRUCTIONS.**





BATTERY CHARGING INSTRUCTIONS

- 1) Pump Switch (*item Q*) must be in the OFF position while charging.
- 2) Open Power Pack Door. **DOOR MUST REMAIN OPEN DURING CHARGING.** Connect Charger (*item O*) to Charging Harness (*item W*) then plug charger into standard outlet. Charge battery 24 hours before first use.
- 3) Do not allow battery to fully discharge. Discharging battery completely will shorten battery life.
- 4) Charge battery overnight (12 hrs +) after each use. A fully charged battery should last 4 hours if pump is not running continuously.
- 5) When storing the unit in the off - season, make sure to maintain battery charge and store in a cool setting. This will help to preserve battery life. See specific instructions that come with charger.

BATTERY HAS A 30 DAY WARRANTY ONLY. LIFE OF BATTERY IS DETERMINED BY CARE AND AMOUNT OF USE.

IMPORTANT
PRODUCT IS SHIPPED
DISCONNECTED.
CONNECT THE TWO
WIRES WRAPPED WITH
RUBBER BAND BEFORE 1ST USED.



CHARGING BATTERY

- OPEN POWER PACK DOOR
- CONNECT CHARGING HARNESS (**ITEM W**) TO CHARGER (**ITEM O**)
- PLUG CHARGER INTO STANDARD OUTLET

OPERATING INSTRUCTIONS

- 1) **Fill tank with drinkable clean WATER OR ICE ONLY. NO SPORTS DRINKS OR POWDERED DRINK MIXES OF ANY KIND.**
- 2) Turn Pump Switch (*item Q*) to the on position and you will hear the pump pressurize the water lines and then it will turn off until more pressure is needed.
- 3) You are now ready to drink from the water wands (*item P*). Add water or ice to tank as needed.
- 4) Turn OFF Pump Switch if tank runs out of water or it could damage pump. Turn OFF Pump Switch when moving the Team Drinker.



CLEANING AND STORING

CAUTION - DANGEROUS DISEASES CAN BE TRANSMITTED BY DRINKING CONTAMINATED WATER. CLEAN AND PROPERLY SANITIZE AND FLUSH SYSTEM AFTER EACH USE. FOLLOW INSTRUCTION ON SANITIZING TABLETS PROVIDED.

A strainer filter is installed at the pump intake valve to prolong the life of the components and for added health and safety of the user. This filter should be inspected and cleaned periodically during normal use and maintenance. A dirty filter can cause unit not to work. To remove the filter for inspection:

- 1) Remove clear strainer bowl, twisting counter clockwise. See Photo #3
- 2) Remove screen and clean. See Photo #4
- 3) Place screen back in filter and reassemble in reverse order.

***** Important: Do not run the unit without filter properly installed. Unit damage can occur and void warranty.*****

PHOTO #3

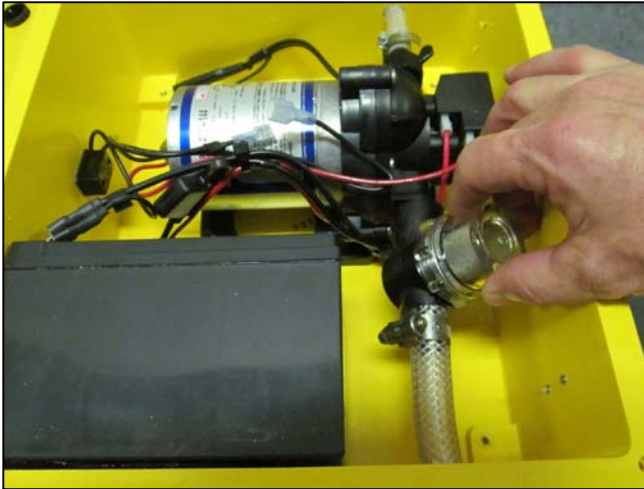
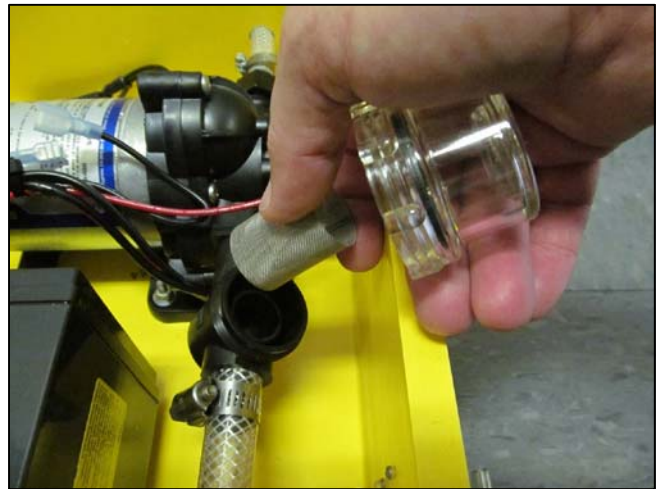


PHOTO #4



WINTERIZING

Charge your battery and store at room temperature. If the Sports Cool unit will be stored where it will be exposed to freezing temperatures, the unit must be winterized.

The "RV Antifreeze Method" of winterizing is the best way to prepare your unit for storage in freezing conditions. *****Important: Use only RV type antifreeze, sold specially for use in potable water systems, available at most hardware stores, for this purpose.*****

RV Antifreeze Method:

- 1) Drain tank thoroughly and wipe dry with a towel.
- 2) Insert the supply hose (the hose that goes into the tank) into a fresh gallon jug of **RV type antifreeze**.

*****Warning: Do not use Automotive Antifreeze to winterize this system. Such solutions are highly toxic. Ingestion may cause serious injury or death.*****

- 1) With the unit near a sink or floor drain, turn the unit on and open one of the valves. Keep open until the water has been flushed and antifreeze is coming out of the valve.
- 2) Repeat step 1 on each of the other six valves. This ensures that the antifreeze protects all lines, the pump and the filter.

PREPARING THE UNIT FOR USE AFTER STORAGE

- 1) If it has been stored dry, follow the sanitizing instructions.
- 2) If it has been stored with RV antifreeze, fill the tank with clean tap water and run the unit first, opening each valve until all antifreeze is eliminated and only clear water flows from each valve. Then follow the sanitizing instructions.



COMMON REPLACEMENT PARTS



TOGGLE SWITCH
PART # ZX3930001
ITEM - Q



STRAINER
PART # ZX3920033
ITEM - AA



FEMALE PIPE CONNECTOR .5
PART # ZX3920090
ITEM - CC



STRAIGHT ADAPTER .25 x .25
PART # ZX3920107
ITEM - T



FEMALE HOSE CONNECTOR .5
PART # ZX3920105
ITEM - DD



BATTERY
PART # SPCBAT
ITEM - Z



PUMP
PART # ZX3920029
ITEM - BB



CAP .75
PART # ZX3920108
ITEM - V



WATER WAND ASSEMBLY
PART # SPCWAND
ITEM - P



TROUBLE SHOOTING

- | | |
|---|---|
| Pump doesn't run when switch is turned on | <ul style="list-style-type: none"> ● Check battery connections. ● Is battery charged? ● Does the on/off switch feel weak? |
| Pump runs but system doesn't pressurize | <ul style="list-style-type: none"> ● Check for bad lower hose or loose connections on lower hose. ● Check for loose strainer bowl or clogged strainer. ● Check for kinks in hoses. |
| Fully charged battery doesn't last long | <ul style="list-style-type: none"> ● Have battery checked. ● Replace battery. |
| Battery will not charge | <ul style="list-style-type: none"> ● Check in-line fuse. ● Have charger checked. ● Replace charger. |

NOTICE

OPEN THE POWER PACK DOOR AND CONNECT THE TWO WIRES THAT ARE WRAPPED WITH A RUBBER BAND. THESE WIRES ARE DISCONNECTED AT THE FACTORY TO PREVENT DRAINAGE OF THE BATTERY AND TO PREVENT THE UNIT FROM BEING ACCIDENTALLY TURNED ON.

ATTENTION:

SERIOUS DISEASES CAN BE TRANSMITTED FROM CONTAMINATED WATER, THIS IS NOT A WATER PURIFICATION SYSTEM. SANITIZE AND FLUSH BEFORE EVERY USE. USE WATER ONLY FROM A SANITARY SOURCE. DO NOT USE "SPORTS DRINKS" OR POWDERS IN THIS SYSTEM. DRAIN UNIT AFTER EACH USE. IF THE UNIT IS TO BE STORED, SANITIZE, FLUSH AND DRAIN ALL WATER FROM THE UNIT AND REMOVE THE TOP CAP. CHECK WITH LOCAL HEALTH DEPARTMENT FOR ANY ADDITIONAL PREVENTATIVE MEASURES.

ZX3000037

- **TURN OFF WHEN NOT IN USE**
- **DO NOT RUN PUMP DRY**
- **TURN OFF TO CHARGE BATTERY**

Z300TUOFF



WARNING



FOR THE SAFETY OF THE USER AND THE CONTINUED SAFE PERFORMANCE FROM THIS EQUIPMENT, INSPECTION AND MAINTENANCE MUST BE PERFORMED REGULARLY. DO NOT USE THIS EQUIPMENT IF DAMAGE HAS OCCURRED.



CAUTION



POWER PACK DOOR MUST REMAIN OPEN FOR PROPER VENTILATION WHILE CHARGING BATTERY.

Z300DOORXX

These WARNING LABELS have been affixed to your product prior to shipment.

Our labels are laminated with an ultraviolet protective layer to protect from fading. However, after years of exposure, they may fade.

Should they become illegible or be removed, you may obtain free replacements by calling BSN Sports at 1-800-527-7510.

Please request labels by part number listed under each label above.