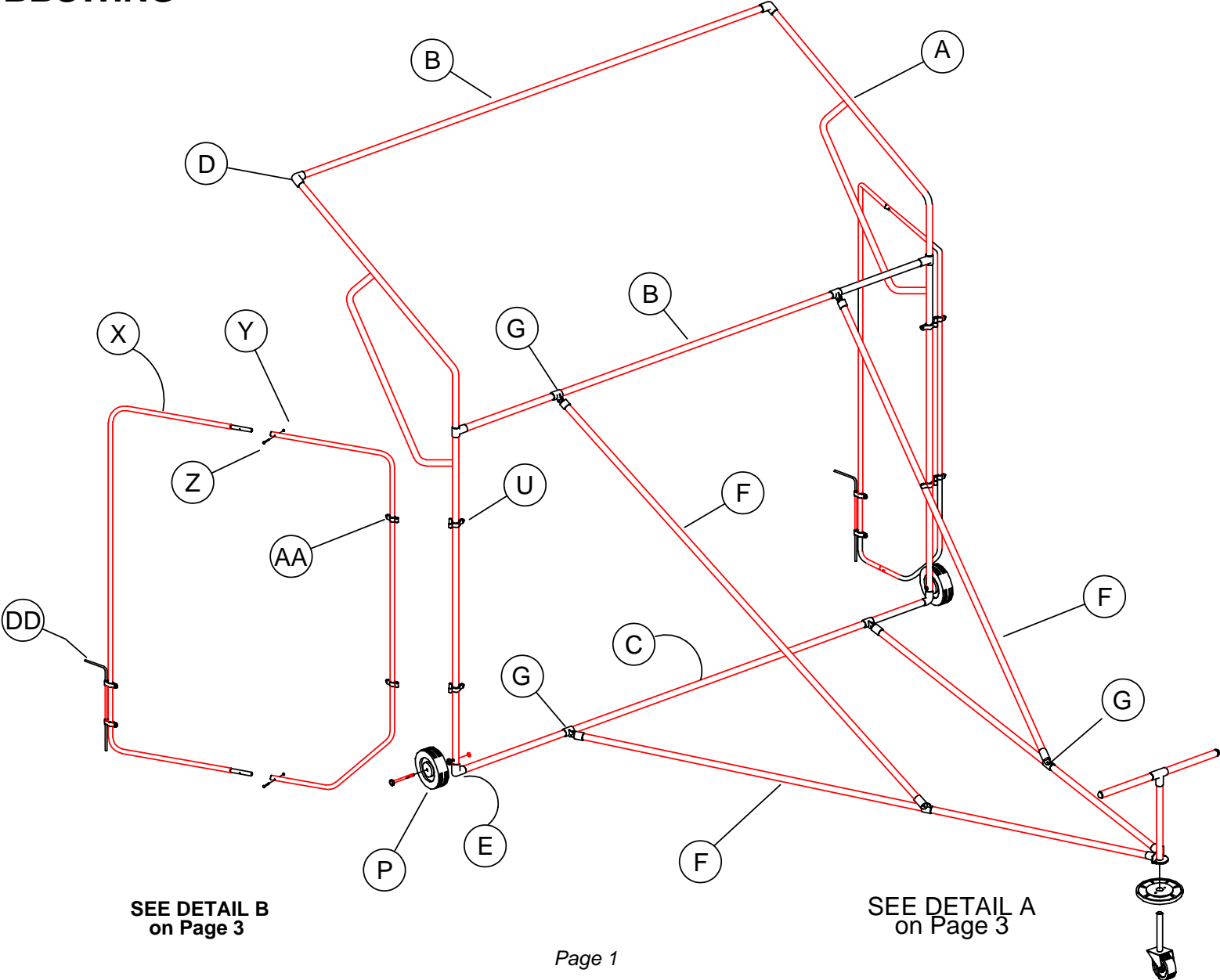


PORTABLE BACKSTOP BBBSWING



SEE DETAIL B
on Page 3

SEE DETAIL A
on Page 3

PORTABLE BACKSTOP BBBSWING

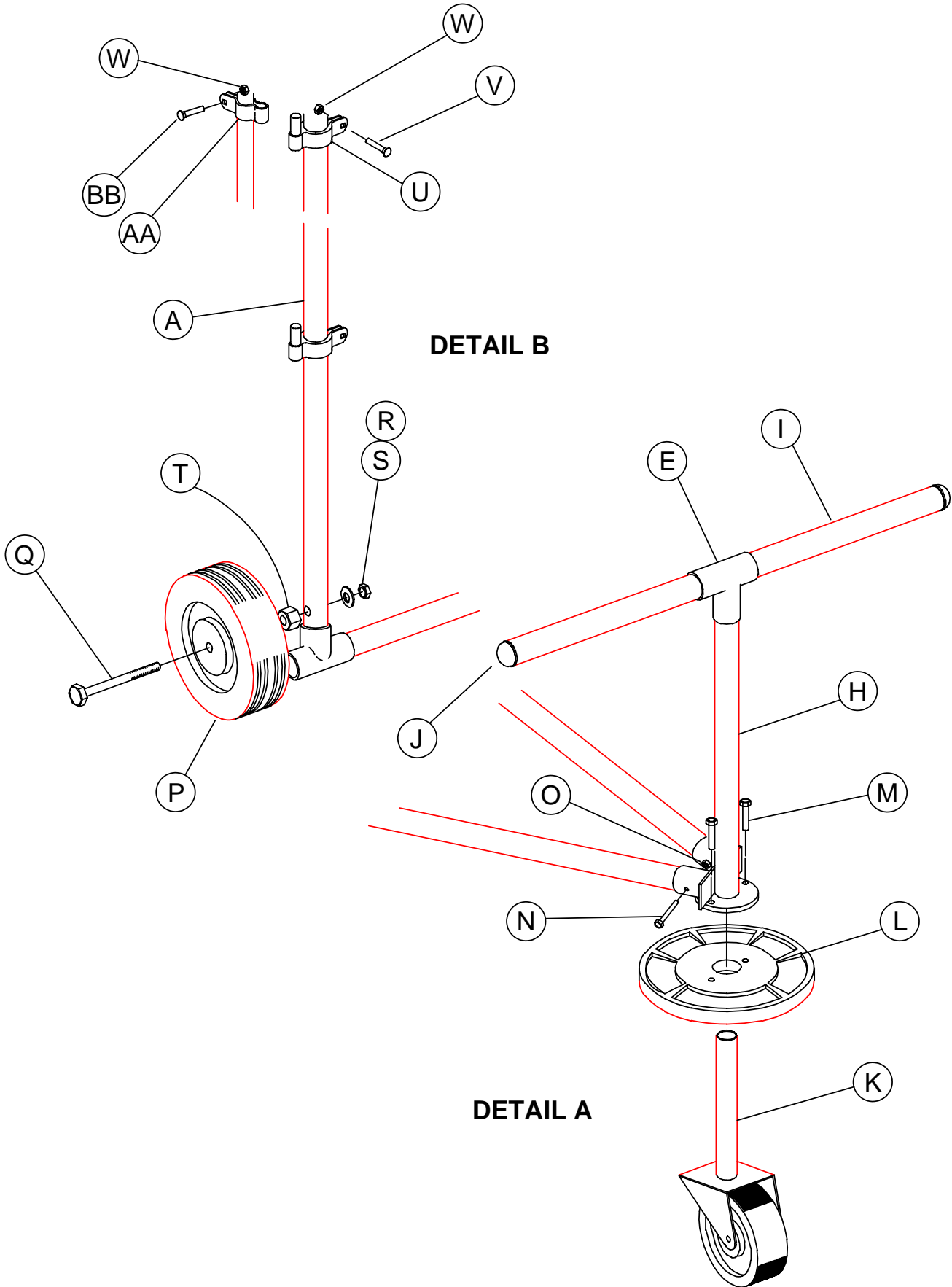
ASSEMBLY:

1. Lay the two Frame Sides (*Item A*) on ground about twelve feet apart. Connect the Frames with the 12-foot Crossbars (*Item B*) at the top with the two EI Fittings (*Item D*) and in the middle with the T-Fittings (*Item D*) already on the Frame. Slide on two Swivel Fittings (*Item G*) on the middle Bar prior to installing.
2. Slide on two Swivel Fittings (*Item G*) on the 12 ft 4 in Bar and attach the two loose T-Fittings (*Item E*) and connect them to the bottom of the frame.
3. Slide the remaining two Swivel Fittings (*Item G*) onto two of the Support Bars (*Item F*) and install the bars onto the Bottom Bar (*Item C*) and connect the other ends to the Counterweight Post (*Item H*) with the 5/16" Hex Bolts and Nuts (*Items N & O*). Refer to Detail A on Page 3.
4. Attach the other Support Bars (*Item F*) to the middle Crossbar. Stand the Backstop upright and attach the Support Bars to the Swivel Fittings on the Bottom Support Bars.
5. Adjust the Bars till the Backstop is Standing straight and tighten all the fittings.
6. Attach the Handle (*Item I*) to the Counterweight Post (*Item H*) with a T-Fitting (*Item E*) and the Counterweight Plate (*Item L*) with the two 1/2" Hex Bolts (*Items M*).
7. Snap on the Male Hinges (*Item U*) onto the sides and lightly bolt in place with the 3/8" x 2 1/2" Carriage Bolts and Nuts (*Items V & W*).
8. Assemble the Wheels (*Item P*) as illustrated on Page 3.
9. Assemble the Wings (*Item X*) with the 5/16" x 1 3/4" Hex Bolts and Nuts (*Items Y & Z*). Attach the Female Hinges as shown in Drawing with the 3/8" Carriage Bolts and Nuts (*Items BB & W*). Adjust them to fit with the Male Hinges on the Frame so the Wings cannot be lifted off.
10. Slide the Wing Stakes (*Item DD*) into the Hinges on the Wings and adjust the Hinges so the Wing Stakes will go into the ground two to three inches easily.

INSTALLING THE NET:

1. Lay the Net (*Item FF*) out in front of the Backstop, find the middle of the edge of the net and starting at the middle of the Top Bar and working outward, start threading the Twine (*Item EE*) through the Net to the Backstop till the entire net is lashed to the Backstop.
2. Tie the Net in three or four places to the Middle Bar allowing it to hang out about 8" to 12".
3. Lace the Wing Nets (*Item GG*) to both Side Wings (*Item X*) the same way.

PORTABLE BACKSTOP BBBSWING



PORTABLE BACKSTOP BBBSWING

ITEM	PART	QTY	PART No.
A	Side Frame	1 pr	Z652SIDEPR
B	Crossbar 12 ft	2 ea	NSPDLXXX
C	Crossbar 12 ft 4 in	1 ea	NSPDLXXX
D	El Fitting	2 ea	Z03015-800
E	T-Fitting	5ea	Z03010-800
F	Rear Frame Support 12 ft	4 ea	NSPDLXXX
G	Swivel Fitting	6 ea	Z03050-880
H	Counterweight Post	1 ea	NSPDLXXX
I	Handle 36"	1 ea	NSPDLXXX
J	Metal End Cap	2 ea	Z083190XXX
K	Caster Assembly	1 ea	Z651SWHEEL
L	Counterweight	1 ea	Z652CHTRWT
M	Hex Bolt 1/2" x 1 1/4"	2 ea	Z041500125
N	Hex Bolt 5/16" x 2 3/4"	2 ea	Z041312275
O	Locknut 5/16"	2 ea	Z060312NLN
P	Wheel 3" x 12"	2 ea	Z401300120
Q	Hex Bolt 5/8" x 6 1/2"	2 ea	Z041625650
R	Lockwasher 5/8"	2 ea	Z072625XXX
S	Hex Nut 5/8"	2 ea	Z062625HEX
T	Hex Nut 3/4"	2 ea	Z062750HEX
U	Male Hinge	4 ea	Z038190MFH
V	Carrage Bolt 3/8" x 2 1/2"	4 ea	Z042375250
W	Locknut 3/8"	12 ea	Z060375-16
X	Side Wings	1 set	Z652WINGST
Y	Hex Bolt 5/16" x 1 3/4"	4 ea	Z041312175
Z	Locknut 5/16"	4 ea	Z060312NLN
AA	Female Hinge 1 3/8"	8 ea	Z038131FFH
BB	Carrage Bolt 3/8" x 2"	8 ea	Z042375200
CC			
DD	Wing Stakes	2 ea	Z020050300
EE	Poly Twine 3/116"	1 roll	MTTWINEB
FF	Net- Back & Top	1 ea	SNWINGCT
GG	Net- Wings	2 ea	SNWINGSD
HH	Hex Key 5/16" (not shown)	1 ea	Z031312HEX

