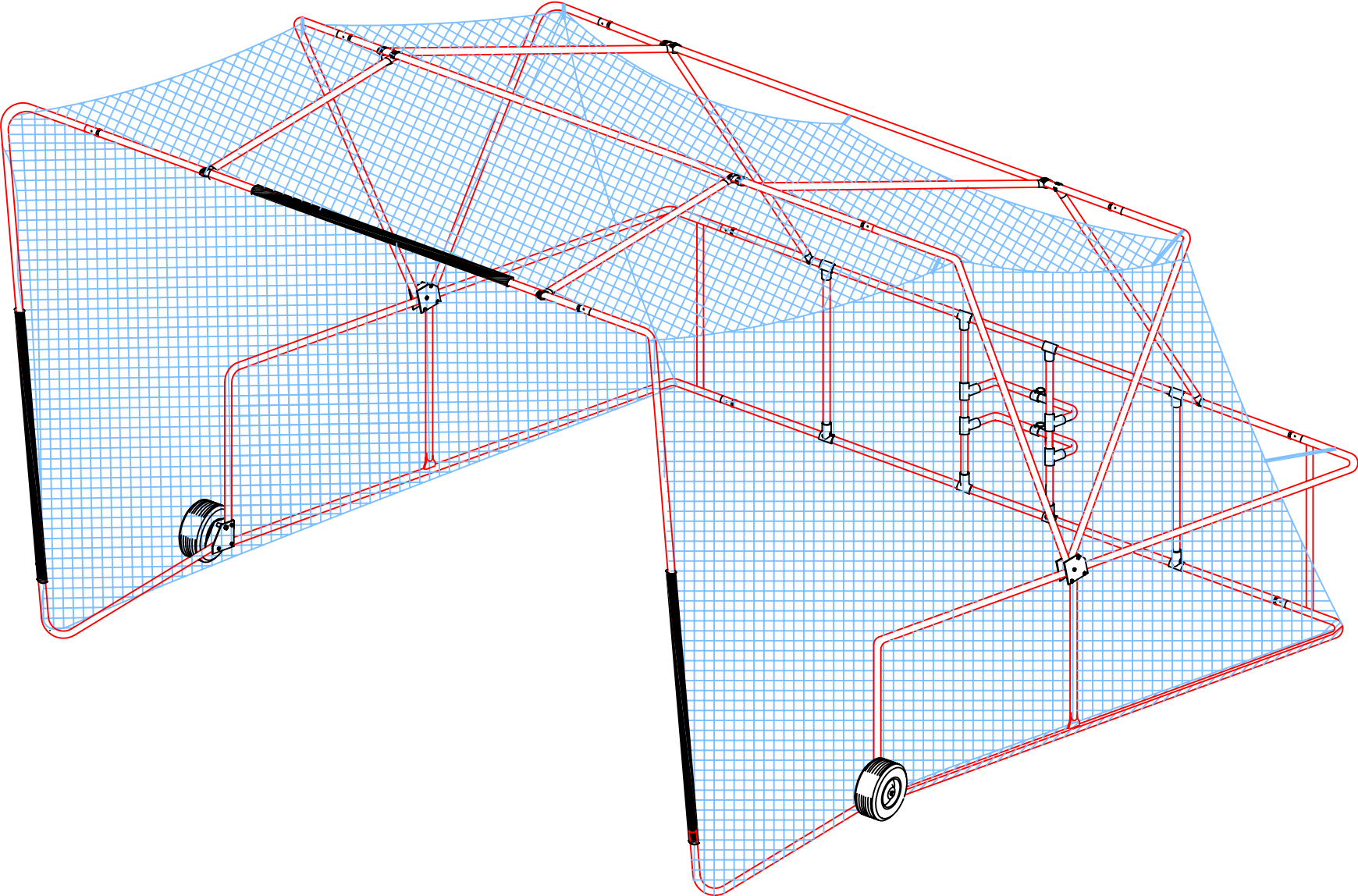
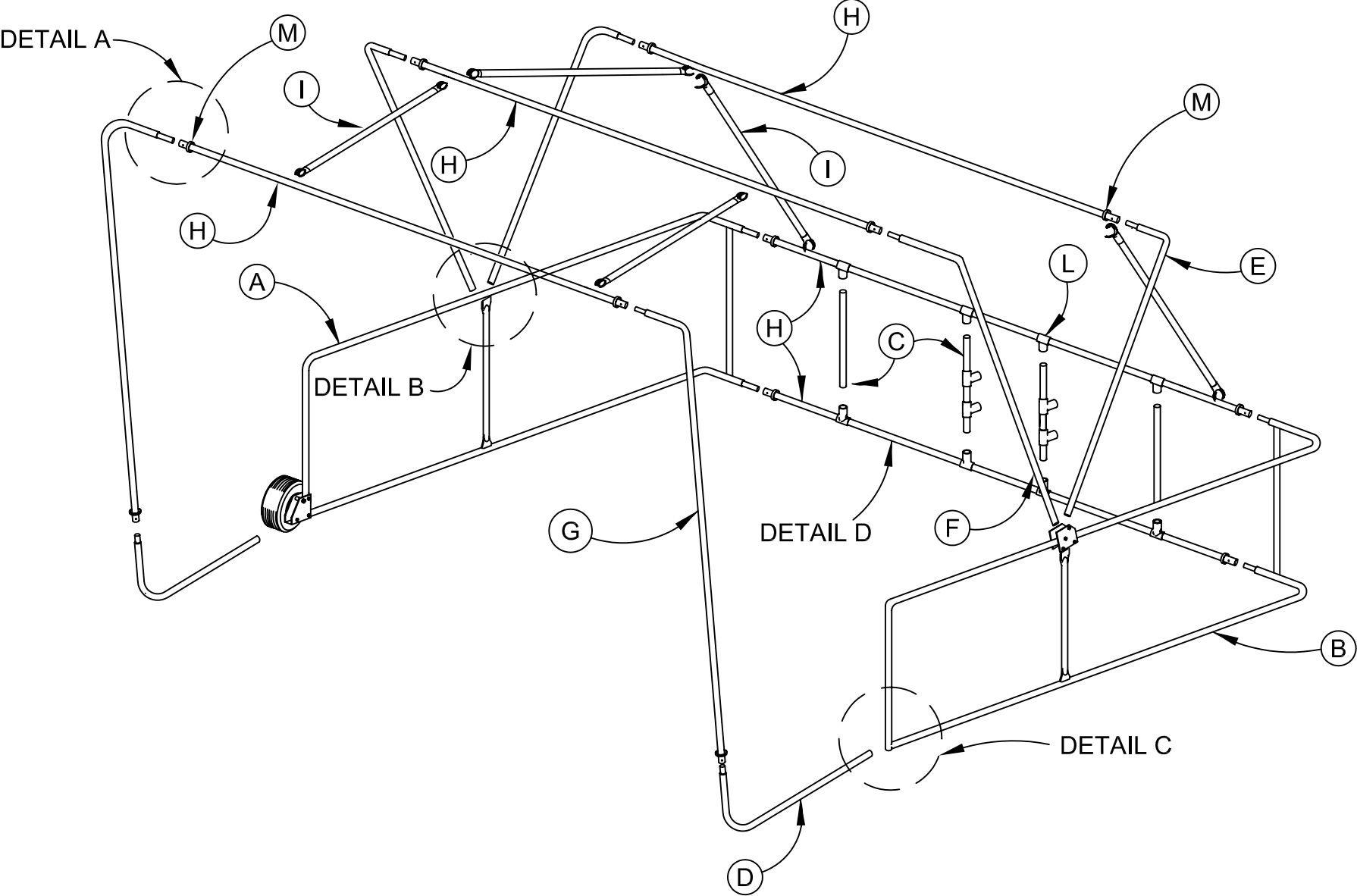


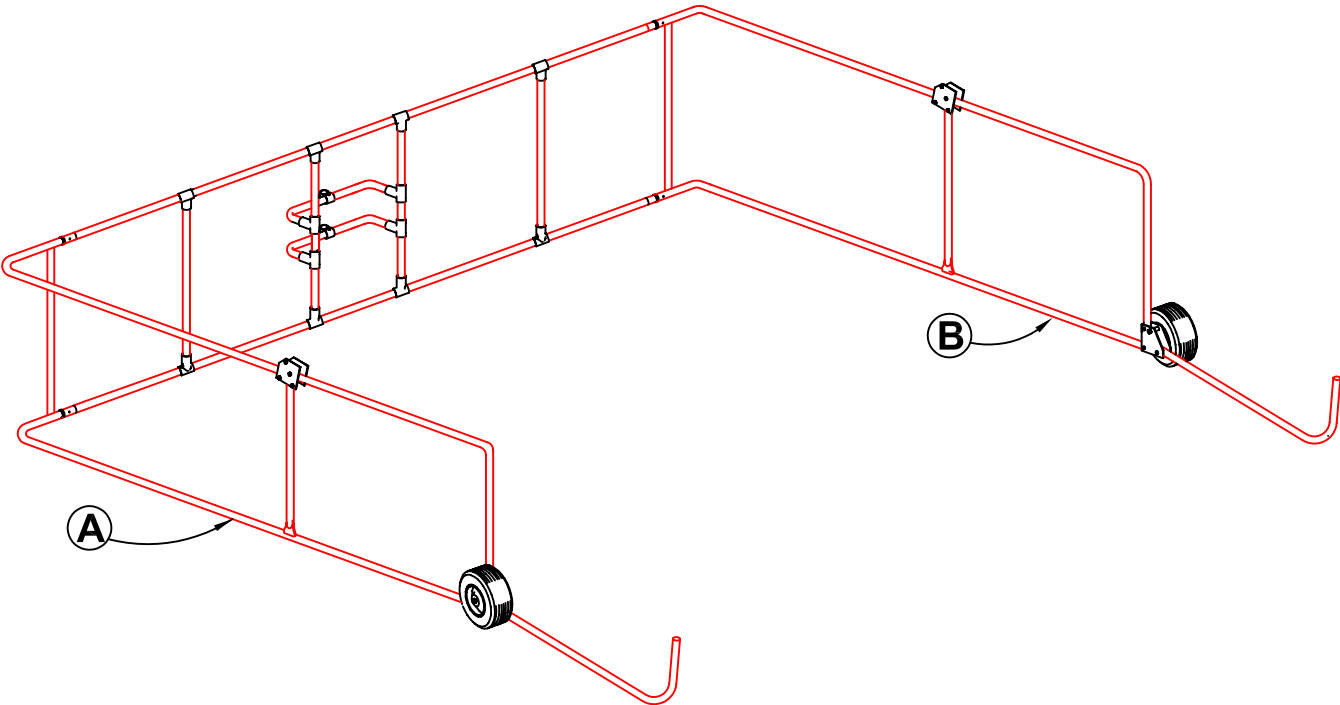
COLLAPSIBLE BASEBALL BACKSTOP



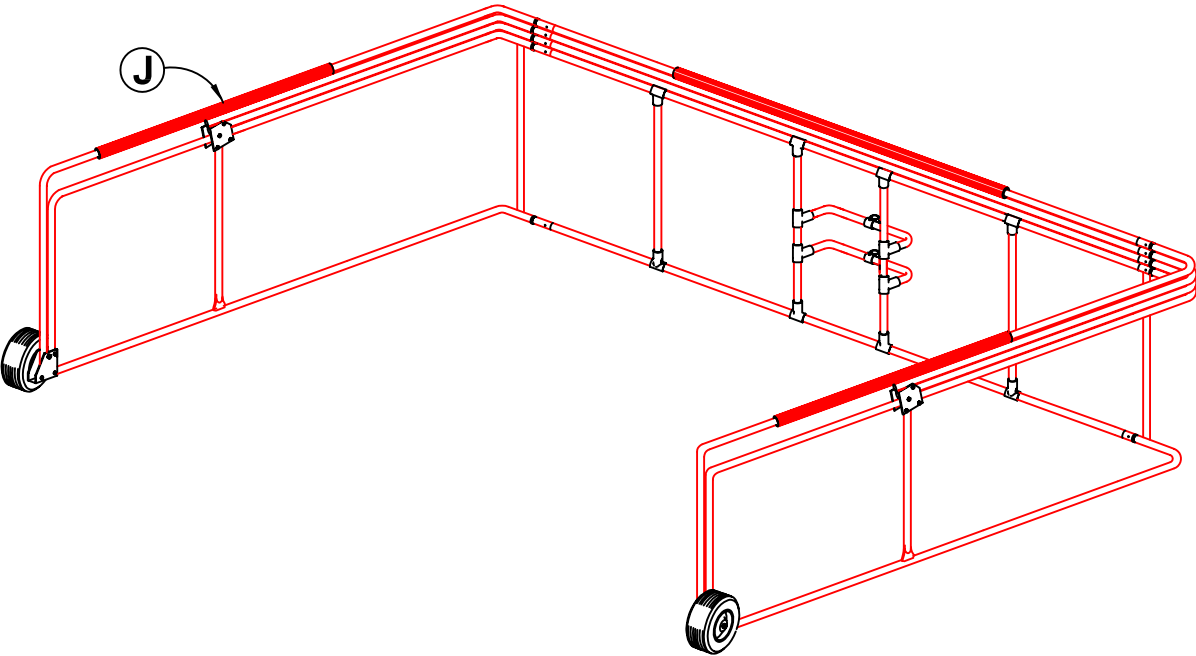
COLLAPSIBLE BASEBALL BACKSTOP



COLLAPSIBLE BASEBALL BACKSTOP



STEP#1
ILLUSTRATION A

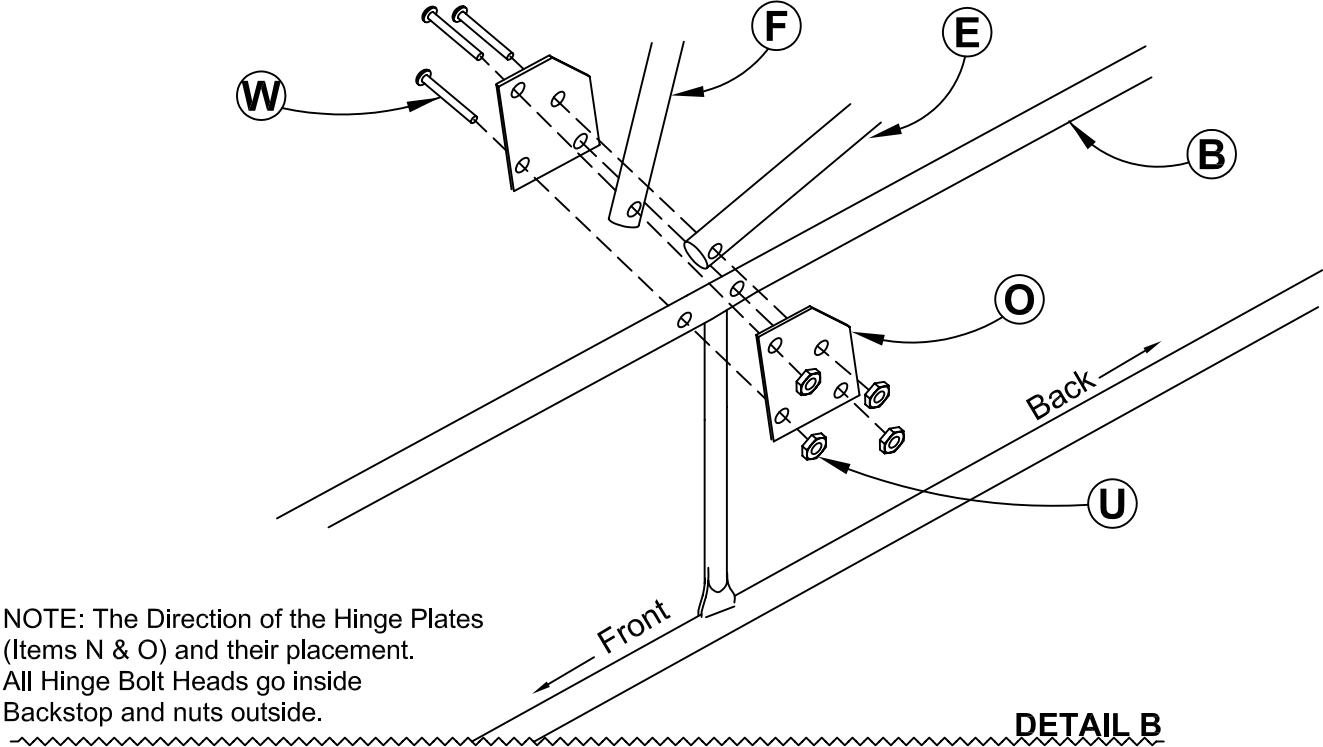
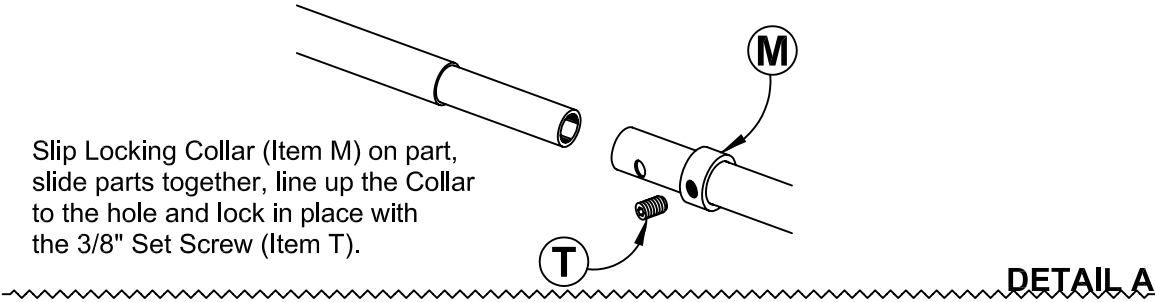


ITEM "J" NOT PROVIDED WITH ALL MODELS.

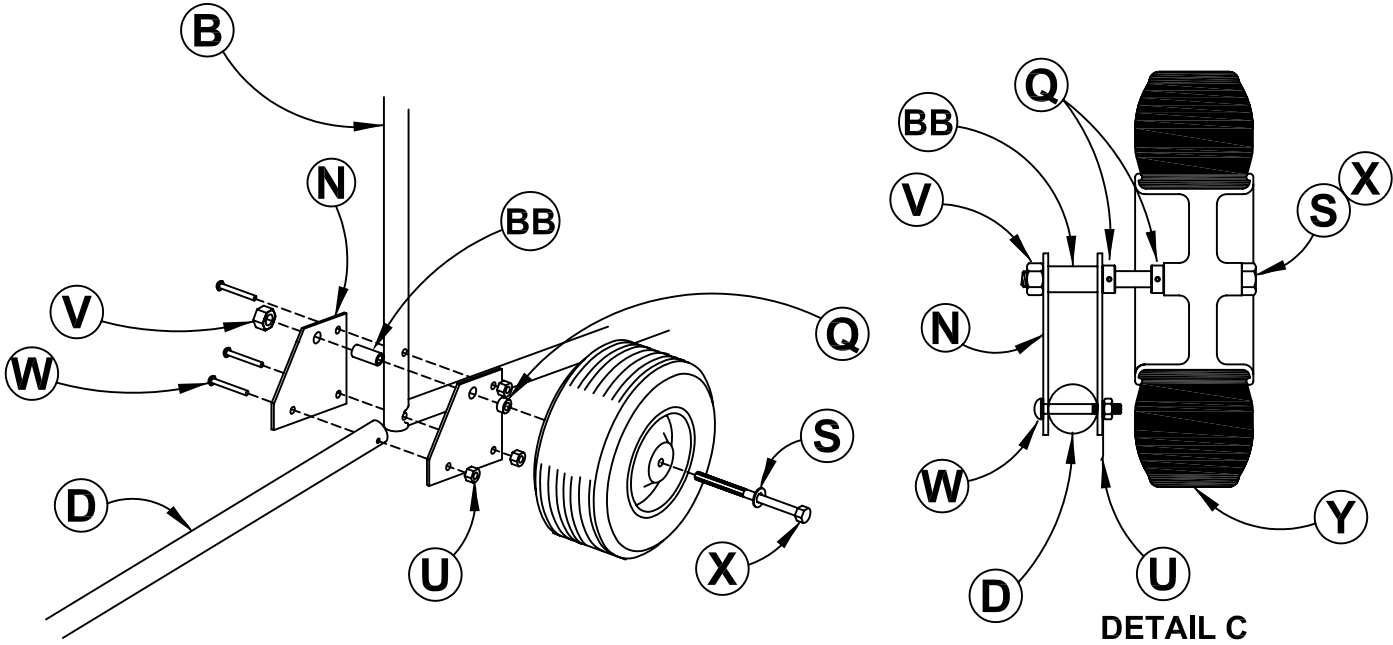
STEP#2
ILLUSTRATION B

COLLAPSIBLE BASEBALL BACKSTOP

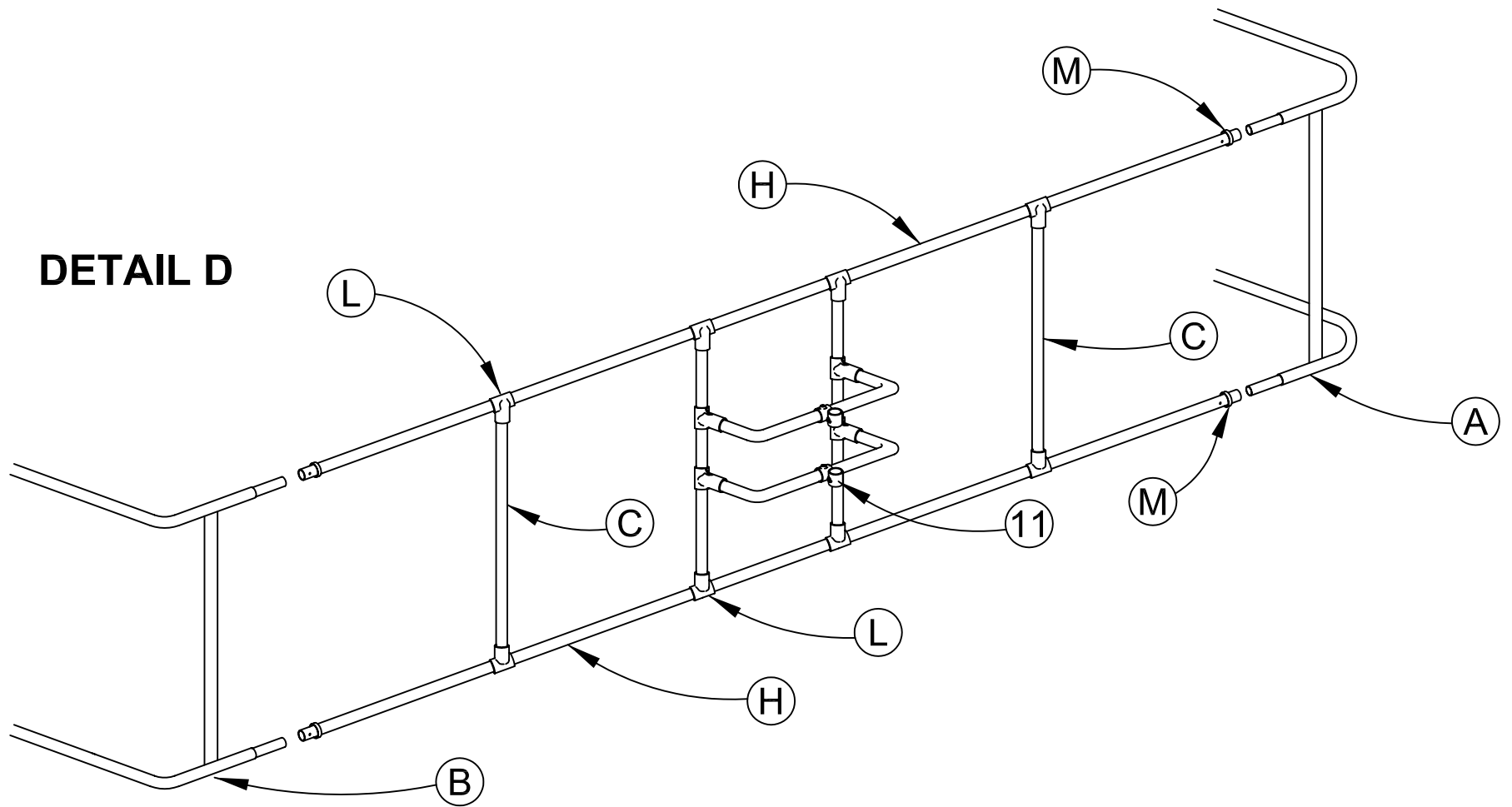
Slip Locking Collar (Item M) on part, slide parts together, line up the Collar to the hole and lock in place with the 3/8" Set Screw (Item T).



NOTE: The Direction of the Hinge Plates (Items N & O) and their placement. All Hinge Bolt Heads go inside Backstop and nuts outside.

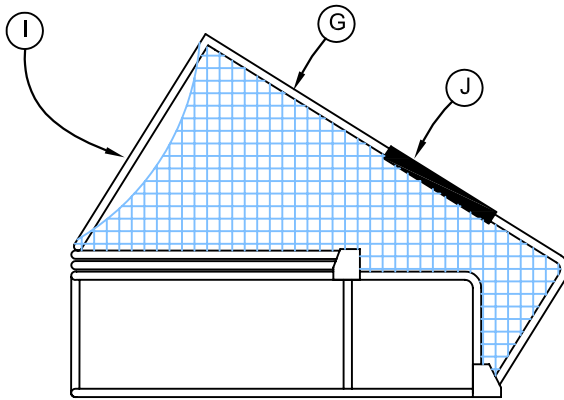


COLLAPSIBLE BASEBALL BACKSTOP



NET INSTALLATION & CANOPY ERECTION (Detail 'E')

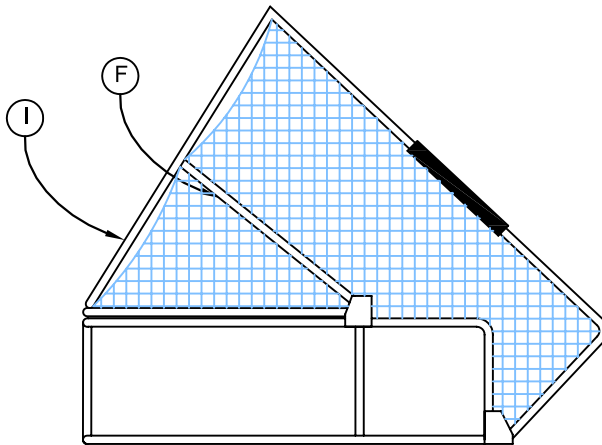
IMPORTANT NOTE: Two people must be used to raise and lower the Canopy.



VIEW 1

STEP #3

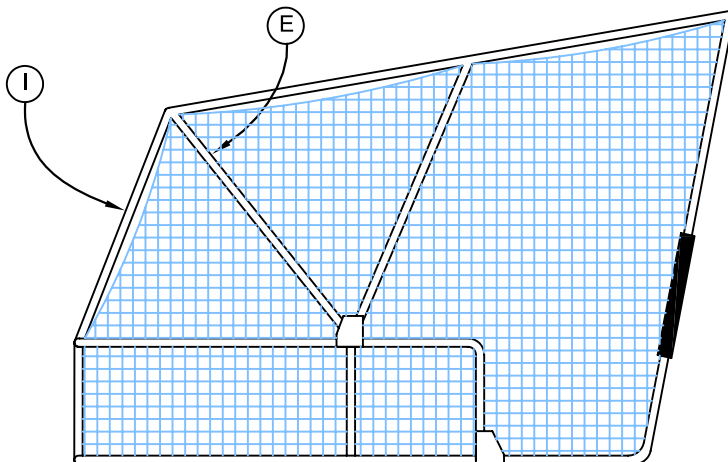
Lay out net. Find front of net. (It will be marked as top front)
Attach front of net to the Front Canopy (H & G). (View 1), using the Lacing Twine. Attach 2 each Canopy Quick Connector (I) to the Front Canopy. Now Lift the Canopy and lock the tube to the Middle Canopy Tube (H).



VIEW 2

STEP #4

Stretch net and secure to the Middle Canopy Tube (H) with Tie Wraps or Lacing Twine. Attach two more Quick Connectors to the Middle Canopy Tube and push upward on the Canopy. Lock bottom of Quick Connectors to the Lower Canopy Tube (H).



VIEW 3

STEP #5

Push Canopy forward until the Front Canopy (G) Assembly rests on the ground. Now lock the bottom of the Quick Connectors to the Lower frame. Finish securing the net to the Cage Frame.

COLLAPSIBLE BASEBALL BACKSTOP

ITEM	DESCRIPTION	QTY	PART #
A	RIGHT SIDE ASSEMBLY	1 EA	ZBSFBATRT
B	LEFT SIDE ASSEMBLY	1 EA	ZBSFBATLF
C	32" TUBES	1 SET OF 4	ZBS4432X
D	FRONT BOTTOM BENT L-SHAPE TUBE	1 PR	ZBS4FRNL
E	SHORT BACK UPRIGHT TUBE	2 EA	ZBS4BUN
F	MEDIUM MIDDLE UPRIGHT TUBE	2 EA	
G	LONG FRONT UPRIGHT TUBE	2 EA	
H	176" CROSSBAR TUBES	1 SET OF 5	ZBS4BAR
I	U-LOCK CONNECTOR TUBES - 81.75"	6 EA	ZX0210003
J	RICHOCHET CUSHION (NOT PROVIDED W/ ALL MODELS)	1 PK OF 3	ZBS4FPAD
K	NET	1 EA	1197525
L	T-FITTINGS	12 EA	ZX1450002
M	ALUMINUM LOCKING COLLAR	12 EA	ZX1450009
N	WHEEL/HINGE PLATE	4 EA	ZX0900041
O	UPPER HINGE PLATE	4 EA	ZX0900042
P	11" TIE WRAPS (NOT SHOWN)	1 PK OF 100	ZX3900011
Q	SHAFT COLLAR	4 EA	Z037062COL
S	5/8" FLAT WASHER	2 EA	Z070062FCW
T	3/8" SET SCREW	12 EA	Z0503755S
U	3/8" LOCK NUT	14 EA	Z060375 - 16
V	5/8" LOCK NUT	2 EA	Z060625NLN
W	HEX BOLT 3/8" X 2 3/4"	14 EA	ZX3700017
X	HEX BOLT 5/8" X 7 1/5"	2 EA	ZX3700045
Y	HEX KEY 3/16" (NOT SHOWN)	1 EA	Z031187HEX
Z	HEX KEY 5/32" (NOT SHOWN)	1 EA	Z031156HEX
AA	HEX KEY 5 MM (NOT SHOWN)	1 EA	ZX3800005
BB	SPACER	2 EA	
DD	BACKSTOP DOLLEY	1 EA	ZBSDOLLEY