

**— Assembly and Safe Use Manual —**

# CENTER STRUT MOUNT SHOT CLOCK BRACKET



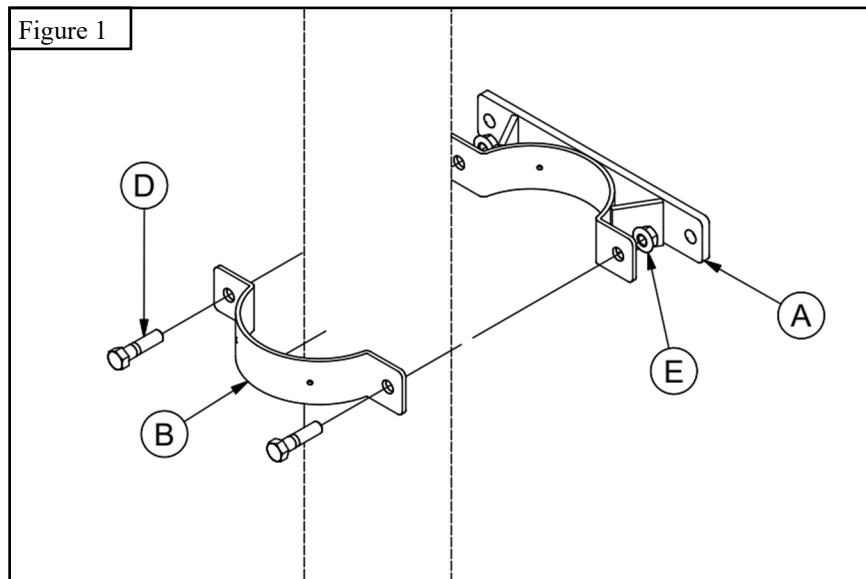
Customer Service  
(800) 247-7668

SHCLK600 or SHCLKBKT658

PARTS LIST					
Item	Qty	Description	Item	Qty	Description
A	2	Center Strut Attachment Bracket (6" or 6 5/8" )	D	4	1/2" x 2" Hex Bolt (FT1757)
B	2	Center Strut Attachment U Clamp (6" or 6 5/8" )	E	4	1/2" Hex Flange Nut (IPFT100)
C	2	Shot Clock Shelf Bracket	F	2	1/4" x 1" Roll Pin (FT1012)

- ◆ Inspect all contents prior to installation. Report any missing parts to dealer immediately.
- ◆ Read all instructions before proceeding.
- ◆ Save these instructions in the event that the manufacturer must be contacted in the future.
- ◆ Never substitute locally sourced components for missing, lost or damaged factory components.

1. Mount the *Center Strut Attachment Brackets* (A) to the center strut of the structures using *Center Strut Attachment U Clamps* (B), *1/2" x 2" Hex Bolts* (D) and *1/2" Hex Flange Nuts* (E). These brackets are designed to be installed on the righthand side of the backboard as you face the backboard from side court. The top surface of the *Center Strut Attachment Brackets* (A) should be 12" - 18" above the top of the backboard for visibility from the court. Tighten the *1/2" x 2" Hex Bolts* (D) when the flat surface plate on the right hand side of the bracket is perpendicular to the face of the backboards. See Figure 1.



2. Attach the *Shot Clock Shelf Bracket* (C) to the flat surface plate on the *Center Strut Attachment Brackets* (A) using *1/2" x 2" Hex Bolts* (D) and *1/2" Hex Flange Nuts* (E). See Figure 2.

3. Confirm that the Shot Clock Shelf Bracket is level, at the desired height and perpendicular to the face of the backboard then tighten all hardware and drill a 1/4" diameter hole through the pilot hole on the Center *Strut Attachment U Clamps* (B) and install the 1/4" x 1" *Roll Pins* (F) with a hammer to avoid rotation or slippage.
4. Proceed with installation of Shot Clocks and optional SHCLKPS Protective Shield using the instructions and hardware provided with those products.

