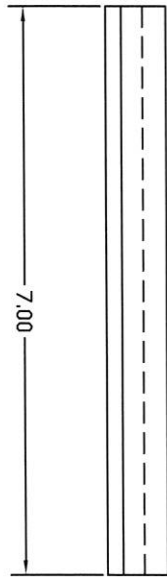
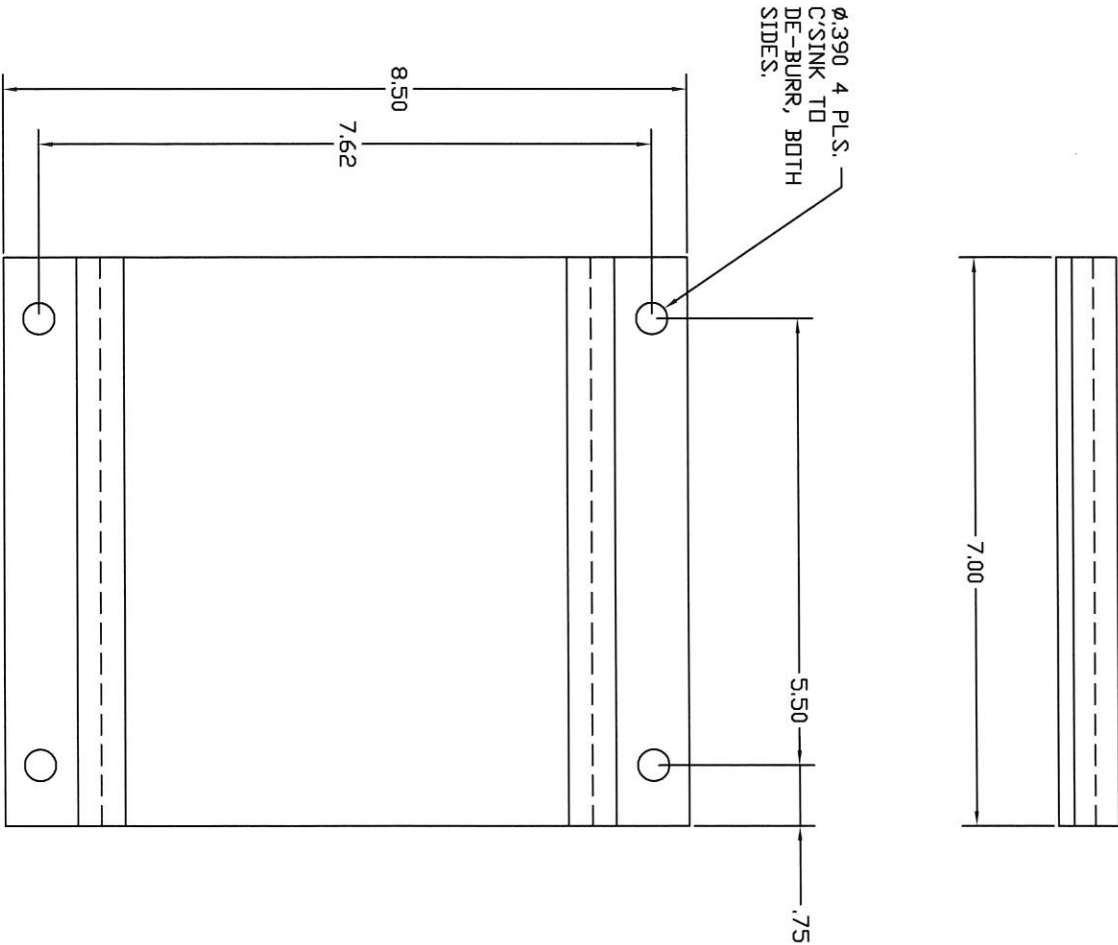
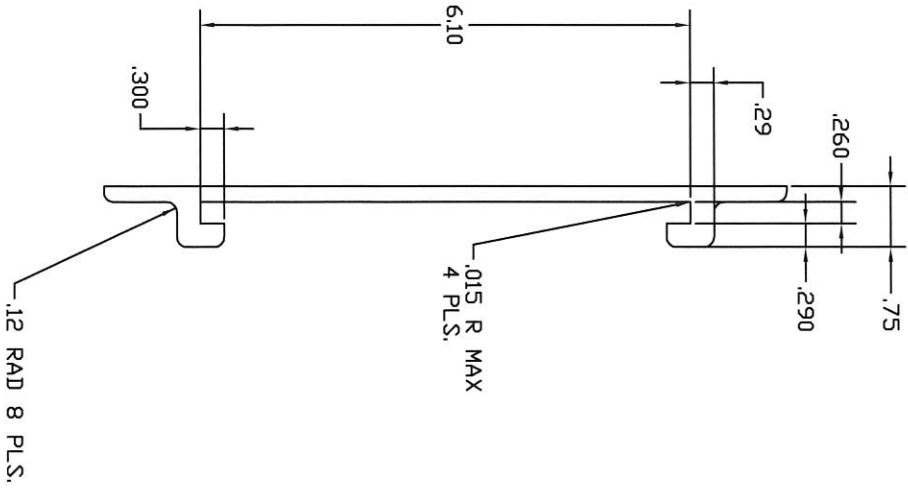


NOTE:
1. DE-BURR ALL SAW CUT EDGES.



REF# 980050

BISON RECREATIONAL PRODUCTS
603 L STREET LINCOLN, NEBRASKA U.S.A.

TOLERANCES UNLESS OTHERWISE SPECIFIED
.X ±.1 FRACTIONS: ±1/16
.XX ±.02 ANGLES: ±1°
.XXX ±.005

NAME: TR7X SINGLE PLATE

PART # \98\TR7XSGPLPT.DWG

MATL: PC1097

SHEET SIZE:

REV#

E.C.#

BY

DATE

DESCRIPTION

DRAWN: DELISI

DATE: 2/1/99

PAGE 1 OF 2