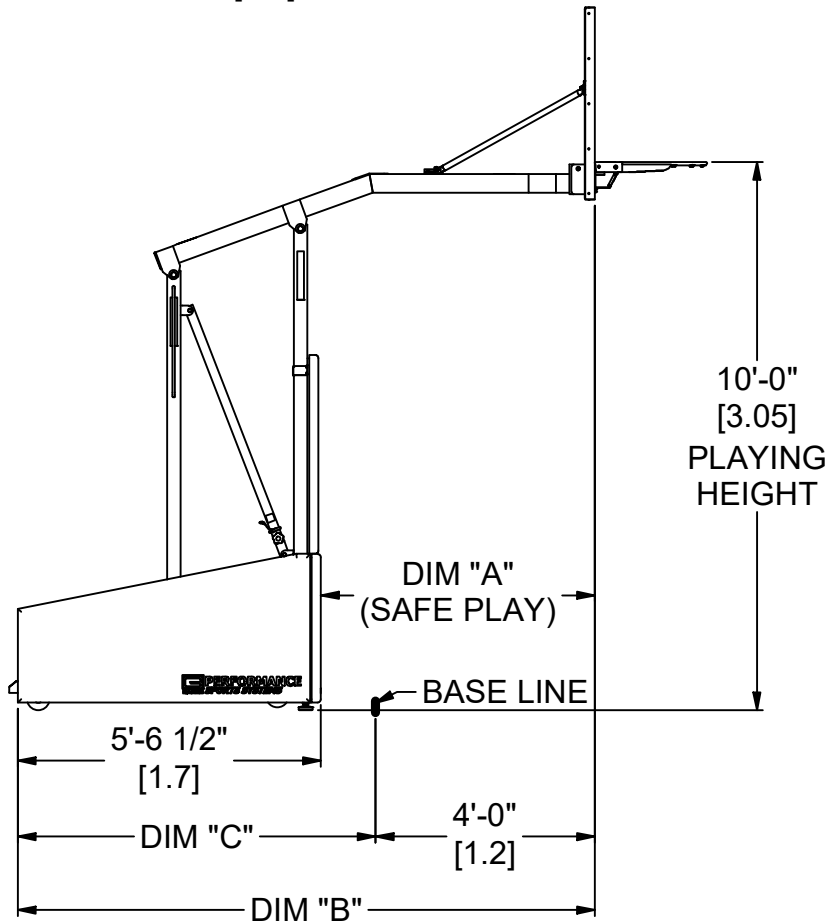
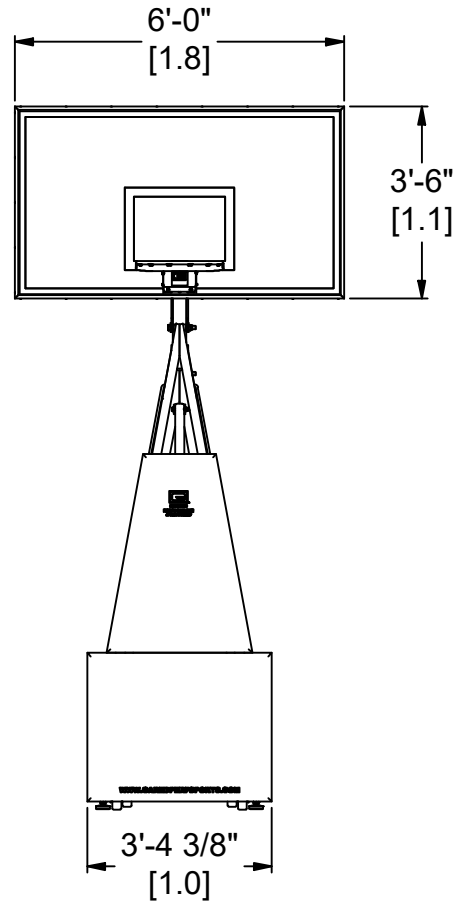
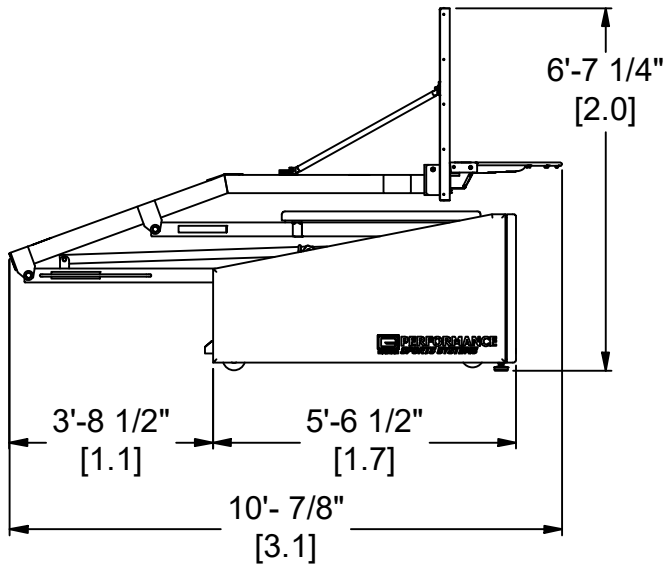


TABLE

PLAYING HEIGHT	DIM "A"	DIM "B"	DIM "C"
10'-0" [3.05 m]	5'-0" [1.52 m]	10'-6 1/2" [3.21 m]	6'-6 1/2" [1.99 m]
9'-6" [2.90 m]	2'-6 3/4" [0.78 m]	8'-1" [2.47 m]	4'-1" [1.25 m]
9'-0" [2.74 m]	1'-7 1/2" [0.50 m]	7'-1 3/4" [2.18 m]	3'-1 3/4" [0.96 m]
8'-6" [2.59 m]	0'-11 1/2" [0.29 m]	6'-5 3/4" [1.98 m]	2'-5 3/4" [0.76 m]
8'-0" [2.44 m]	0'-5 1/4" [0.13 m]	5'-11 1/2" [1.82 m]	1'-11 1/2" [0.60 m]



DIMENSION: FEET & INCHES
[METERS]

WEIGHT: 1,565 LBS



Gared Performance Sports Systems
info@garedperfsports.com
800-325-2682

THIS DOCUMENT CONTAINS TRADE SECRET AND OTHER MATERIALS WHICH ARE PROTECTED BY CONFIDENTIALITY NOTICE AND AGREEMENT AND BY COPYRIGHT. ANY USE OR COPYING OF THIS DOCUMENT EXCEPT AS AUTHORIZED BY GARED PERFORMANCE SPORTS SYSTEMS IS STRICTLY PROHIBITED.

HOOPMASTER LT PORTABLE, 72" BOARD

DRAWN		DATE	DATE ISSUED	
LWS		5/18/2026	6/23/2026	
APPROVED		DATE		
BRC		6/9/2026		
SIZE	SHT. NO.	PART NO.	REV NUM	REV LTR
A	1 OF 2	9305-72	000	

REV	BY	DATE



**PERFORMANCE
SPORTS SYSTEMS**

MODEL 9305-72

HOOPMASTER LT PORTABLE – 72” BOARD

FRAME

The perimeter of the base shall be constructed of 2” x 3” heavy wall tubing and 7 gauge formed steel plate welded to form a single unitized frame. The front and rear arms shall be constructed of 2” x 3” heavy wall tubing welded to form a unitized frame. The boom shall be constructed of 3” x 4” heavy wall tubing. The backboard shall be supported by direct mounting through the goal to the main boom and a 1.25” diameter formed tube brace to the upper corners of the board. The base shall have adjustable, slip resistant leveling pads to support the front during play.

BALLAST

Each unit shall have a minimum ballast weight of 600 lbs., permanently built into the rear of the unit. Total unit weight including ballast is 1565 lbs.

WHEELS

Each unit shall be transported on (2) 5” diameter rigid caster wheels and (2) 5” diameter swivel caster wheels with 2” non-marking polyurethane treads. The rear wheels have a load rating of 1000 lbs. each and the front casters have a rating of 1000 lbs. each. The wheels shall be supported on steel roller bearings and shall have grease fittings for internal lubrication.

FINISH

Each unit shall be finished in a white powder coat enamel finish.

PADDING

Main vertical arms and front face area shall be padded with a minimum of 2” thick heavy-duty polyurethane foam and covered with a 14-ounce tear resistant, mildew resistant vinyl. All other portions shall be padded with 2” thick foam covered with the same 14-ounce vinyl. All padding to be attached in a manner for quick replacement. Glue-on padding will not be considered equal.

FOLDING CYCLE

Each unit shall have (4) heavy duty tension springs (two outer springs, two inner springs) located in the base to assist in lifting and lowering the unit. The unit shall be raised and lowered by the handle provided on the rear upright. A telescoping locking bar with safety locking pin shall be used to hold the unit in full up and full down positions. Arms shall pivot on close tolerance wear bushings.

BACKBOARD & GOAL

5’-0” extension @ 10’-0” playing height

42” x 72” x ½” Glass (BB72G50), with 2000+ Gared Collegiate Breakaway Goal

OPTIONS:

Model 9155 Anchoring Kit with (2) front locating pins and a rear floor anchor attachment.

Subject to design change and current manufacturing practices.