



## MICRO-Z & MICRO Z-54



### **Installation, Operation and Maintenance Instructions**

**Please read all instructions before attempting installation or operation of these units**

**SAVE THESE INSTRUCTIONS FOR FUTURE USE**

PUBLICATION No.  
5 5 1 7 5 2 6 1 9

Revised  
Mar. 22, 2011



# MICRO-Z, MICRO-Z54 Portable Backstop



## TABLE OF CONTENTS


<u>Section</u>	<u>Page No.</u>
Introduction.....	1
Basic Dimensions.....	2
Assembly and Setup.....	3
Unit Operation .....	7

## INTRODUCTION

Thank you for your purchase of a Gared Sports model Micro-Z Portable backstop. To ensure that our equipment will provide years of use to you, we are including this installation, operation, and maintenance guide. This guide will provide information on the proper assembly and installation methods, operating procedures, and preventative maintenance of your portable backstop.

It is recommended that an individual who has been properly trained perform assembly and set up of the backstop. No one under the age of 18 should attempt assembly or set up of the unit, unless properly supervised.

To prevent normal wear and tear from shortening the life of the unit, preventative maintenance inspections and repairs should be performed at least once per year. If the units are subject to high or unusual usage, inspections should be scheduled to occur more frequently. If items are found to be nonconforming, replacements can be ordered from Gared Sports or one of our authorized dealers. When contacting Gared Sports, please have information regarding the dealer/installer who sold the unit, the name of the project, and any applicable warranty information.

 **DANGER**

THIS UNIT MUST BE LOADED WITH BALLAST BEFORE ASSEMBLE OR PLAY. FAILURE TO LOAD BALLAST CAN RESULT IN EQUIPMENT DAMAGE AND/OR SERIOUS INJURY TO PERSONNEL.


126331507

 **WARNING**

THIS PORTABLE IS NOT DESIGNED FOR DUNKING ACTIVITIES.

**DO NOT HANG ON RIM.**

126331506

 **CAUTION**

SLIDE BACKBOARD TO FULL DOWN POSITION BEFORE ROTATING SLIDE POST TO STORAGE POSITION

125451508

 **WARNING**

FRONT LEVELING PADS MUST BE ON FLOOR WITH ALL WEIGHT OFF THE FRONT SWIVEL CASTERS BEFORE UNIT CAN BE USED FOR PLAY.

126331505

**KEEP HANDS CLEAR**

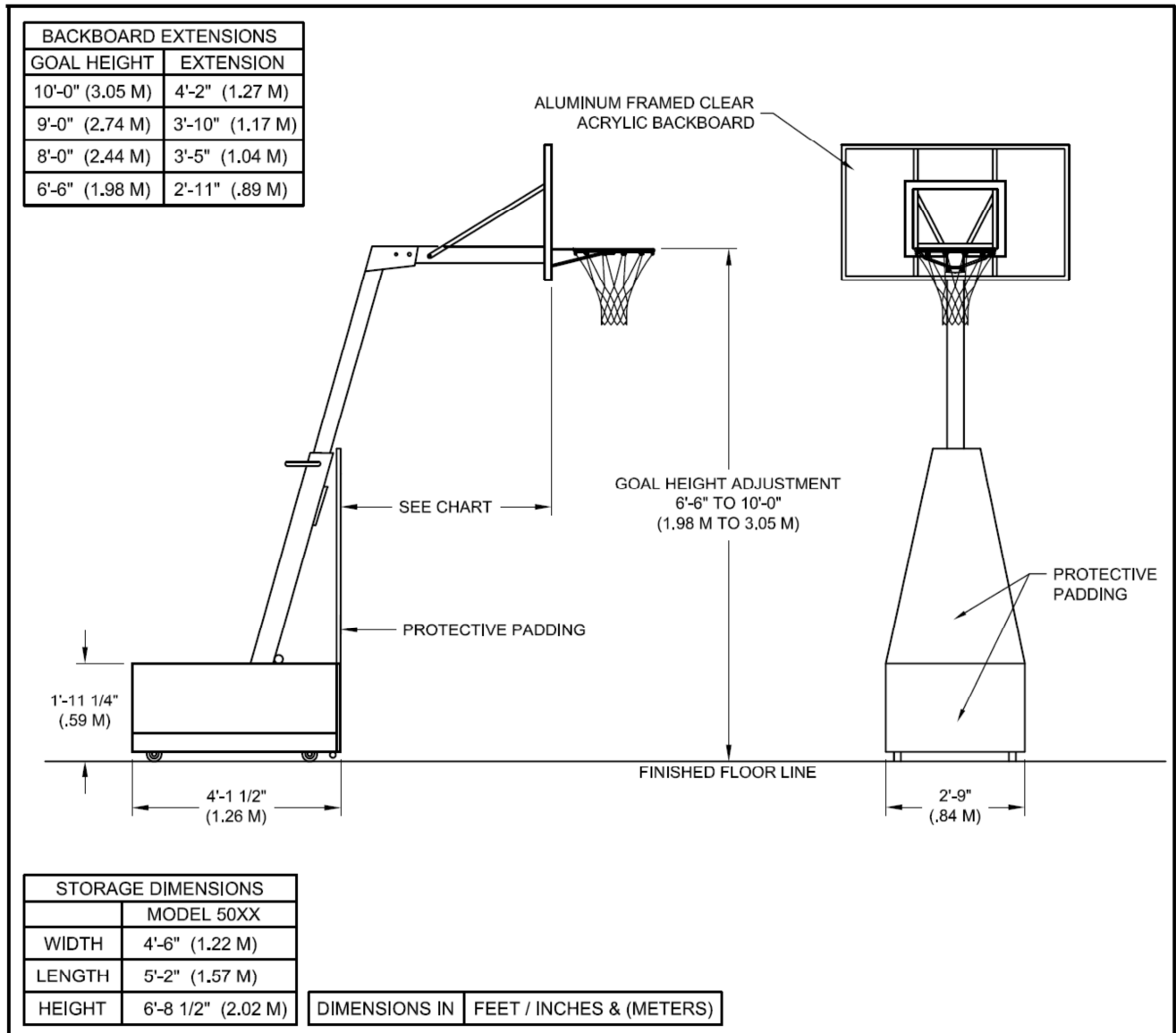


PN 125451510

**WARNING!**

Do not remove safety bolt before installing backboard and goal. Removing bolt could result in serious personal injury and/or damage to unit.

## BASIC DIMENSIONS



Model	Board Size	Empty Wt	Min. Ballast Wt*	Min. Play Wt
MICRO-Z	32" x 48"	344 lbs 156 kg]	260 lbs [118 kg]	604 lbs [274 kg]
MICRO-Z54	32" x 54"	355 lb [163 kg]	300 lbs [136 kg]	655 lbs [299 kg]

\*Note: Ballast is not included with unit.

# Recommended tools and accessories.

- 1 - Variable speed, reversible drill with #3 Phillips screwdriver tip.
- 1 - 11/16" Flat wrenches.
- 2 - 3/4" Flat wrenches.
- 2 - 9/16" Combination wrenches.
- 1 - Utility knife.
- 1 - 2' Level.

## Step1: Removal of Micro-Z from pallet.

- (A) Use a fork lift to unload the unit from the truck. See fig. 1
- (B) Remove the wrapping materials.
- (C) Remove rim, bottom pad and backboard.
- (D) Remove two lag screws which hold the base to the pallet.
- (E) Carefully rotate the Micro-Z down to the floor as shown in fig. 2

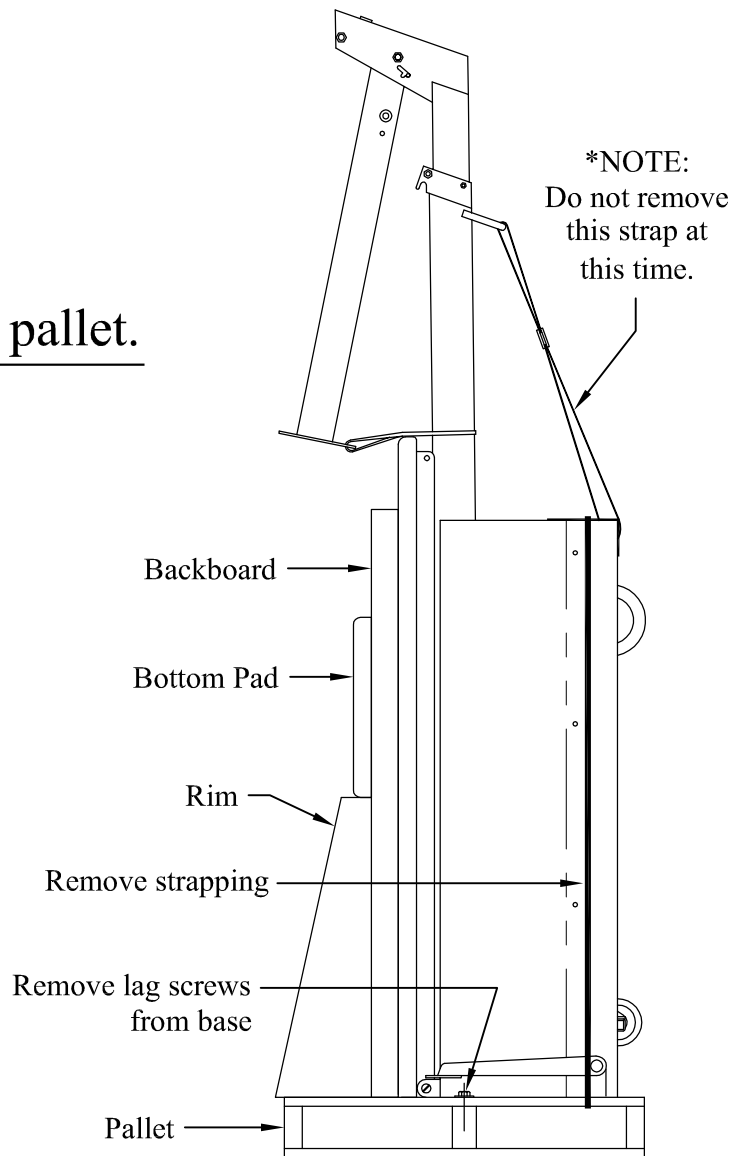


Figure 1.

Carefully rotate unit off of pallet and onto floor. Suggest using at least two persons for this task.

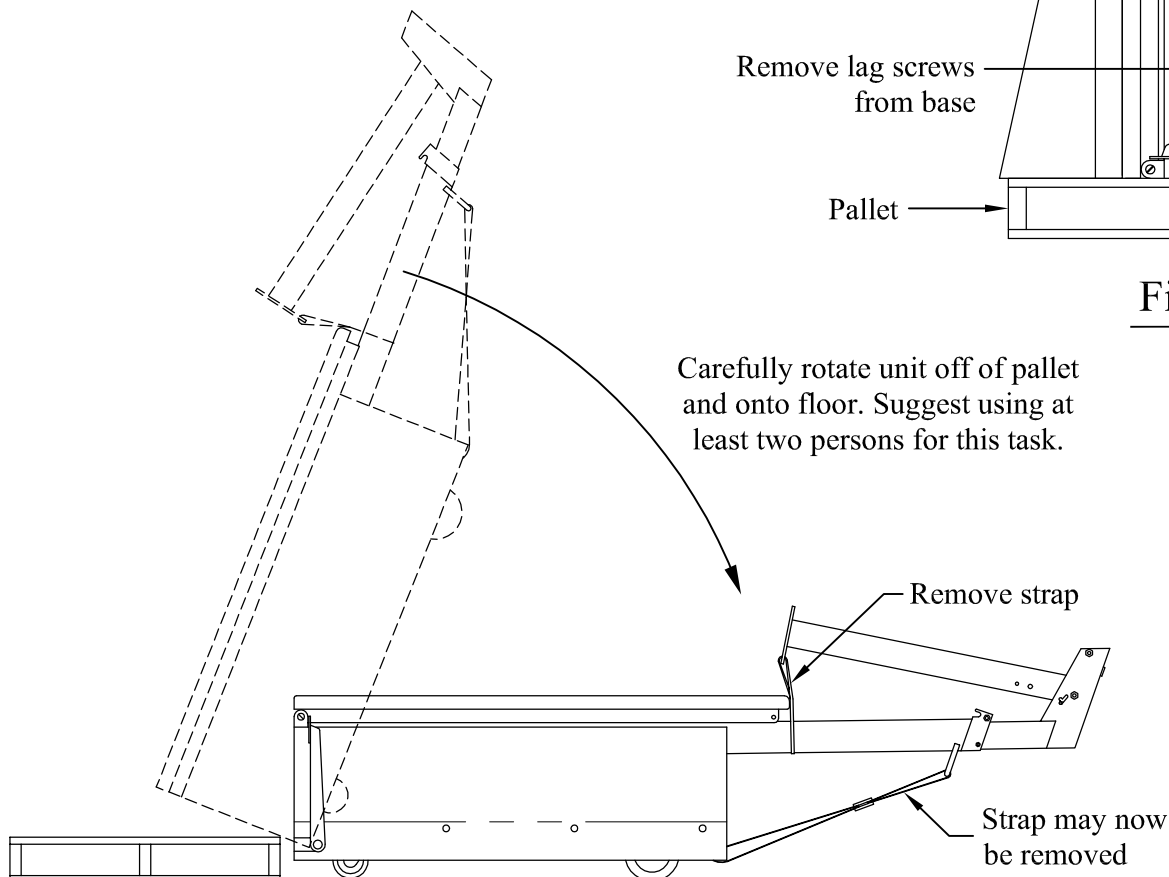


Figure 2.

## Step 2: Raise and secure main post.

- (A) Unscrew 1/2" bolt and remove extension boom till later step. See fig. 3
- (B) Set foot brake. See fig. 4
- (C) Carefully raise main post to full vertical position as illustrated in fig. 4
- (D) See Detail View for final step in securing post.

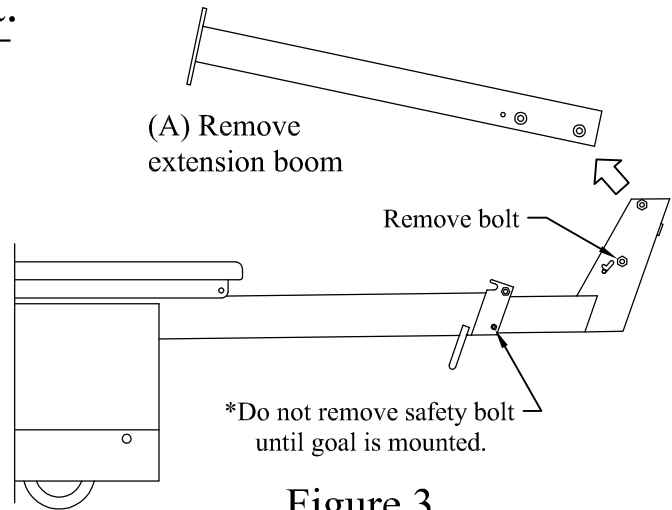


Figure 3.

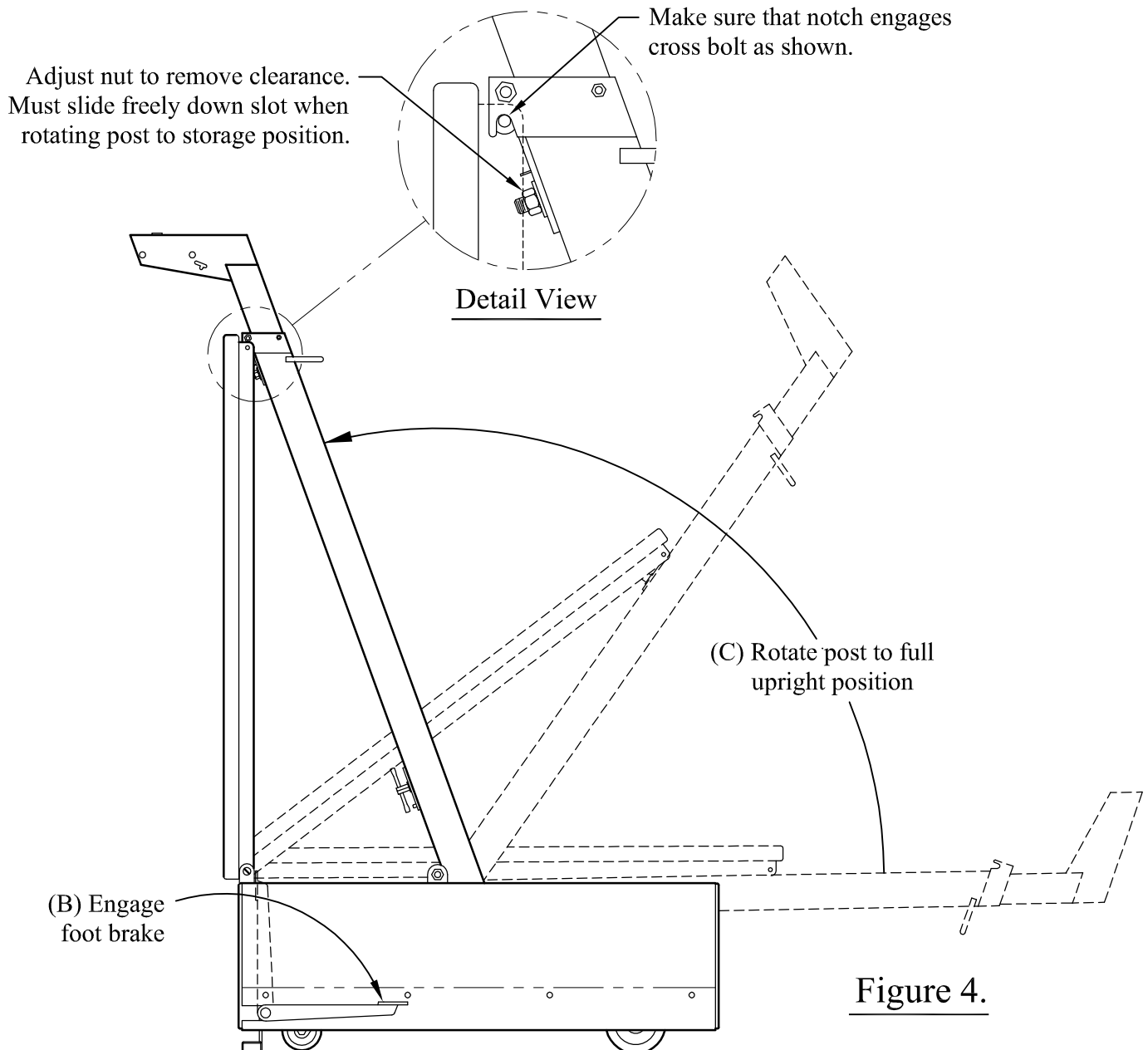
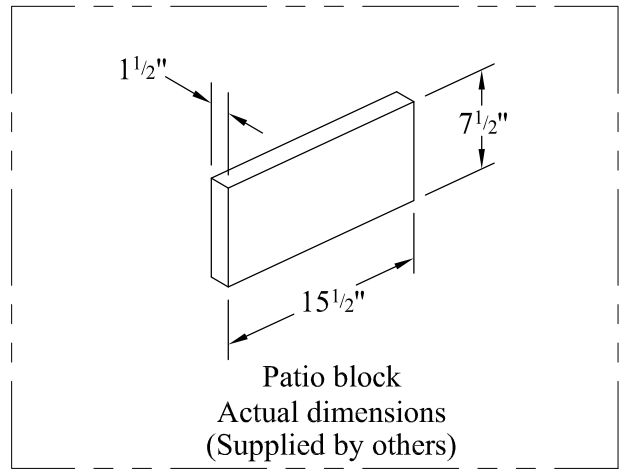


Figure 4.

### Step3: Installing ballast.

- (A) Use appropriate screw driver or powered driver to remove side covers from base.
- (B) Attach bottom front pad.
- (C) Add weight to rear of base. Total weight should be:
  - 260-320 lbs for MICRO-Z
  - 300-360 lbs for MICRO-Z54Patio Blocks shown, Paver Bricks, Sand Bags or other weights may also be used. Weight is not included with unit.



- (D) Strap the weight down and replace the side covers.

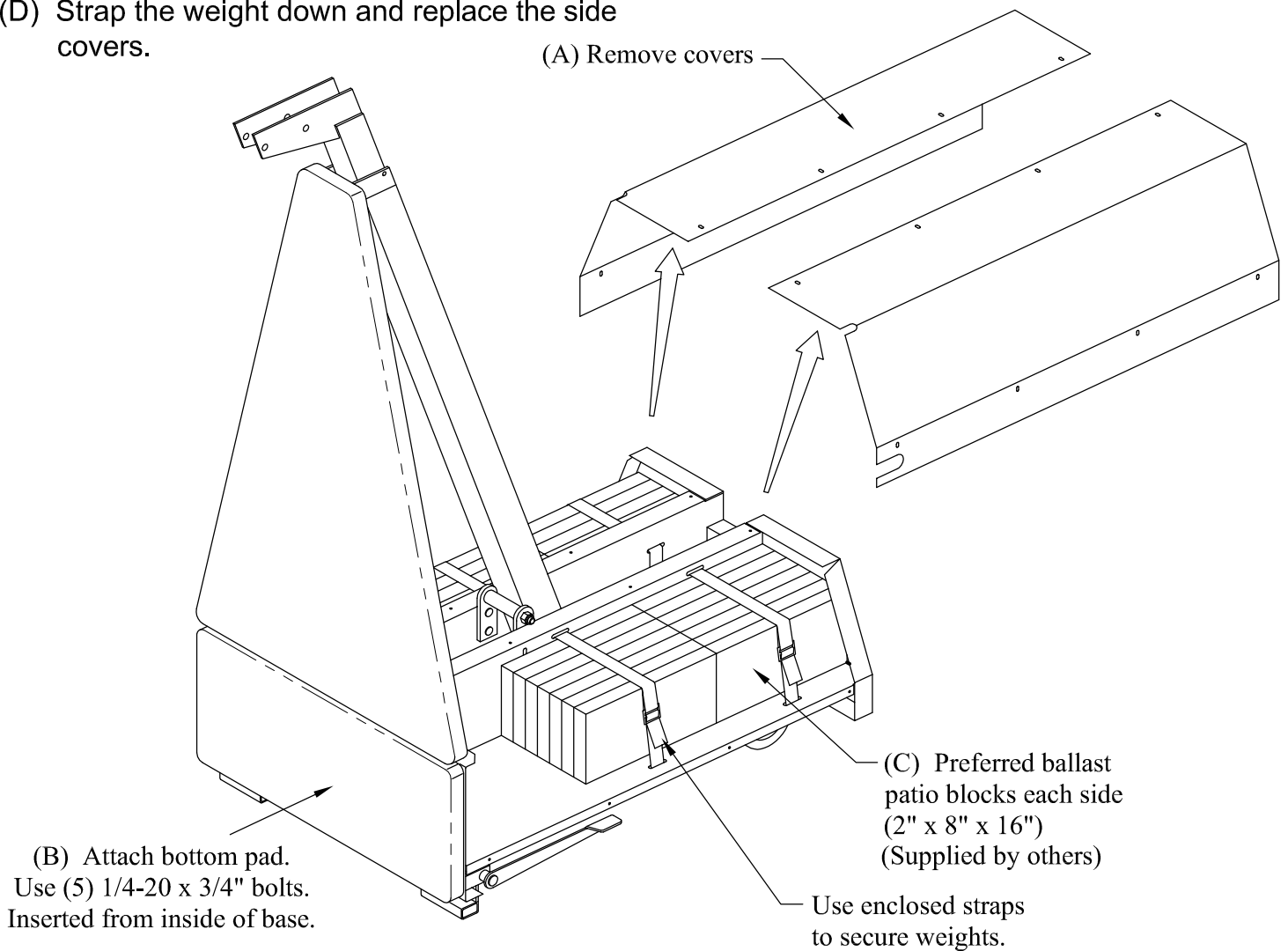


Figure 5.

## Step 4: Assemble backboard and extension boom.

\*NOTE: Since goal, backboard and boom are connected with the same four bolts, it is suggested to pre-assemble all items on the floor as shown. Follow all notes in fig. 6 Leave bolts snug till step 5.

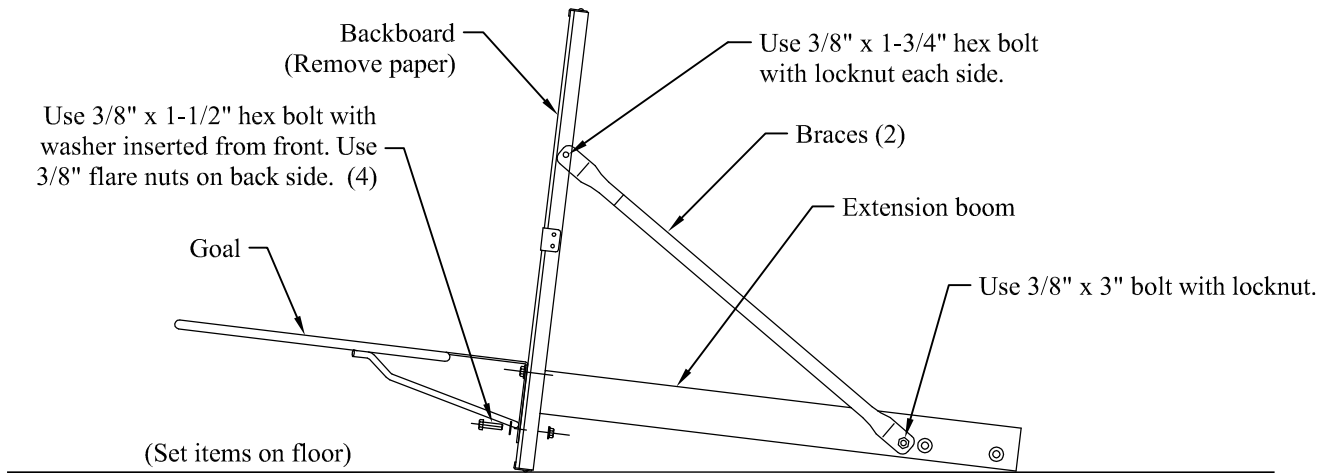


Figure 6.

## Step 5: Attach backboard to support post.

(A) Hoist backboard assembly up to support bracket and insert 1st bolt. It is helpful to have two persons for this procedure.

(B) Swing the backboard unit up to a horizontal position. Insert 2nd bolt.

(C) Level extension boom and tighten 1/2" bolts at the support bracket. (Make sure foot brake is set)

(D) Use level to align backboard and goal vertically and horizontally.

(E) Tighten all bolts.

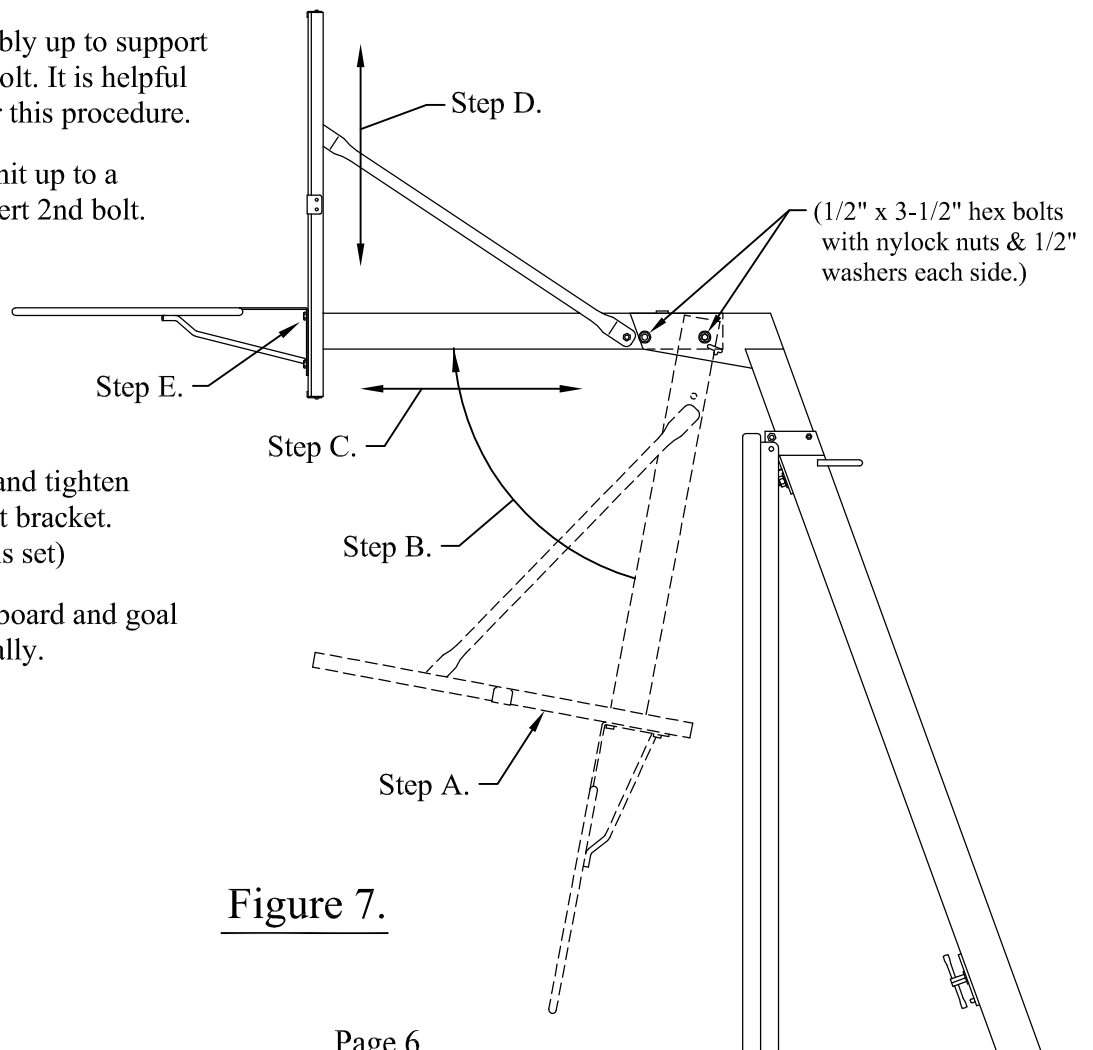


Figure 7.

## Step 6. Goal height adjustment.

Make sure locking lever is tight before starting Step 6.

- (A) Remove Safety bolt.
- (B) Unscrew locking lever.
- (C) Use lift handle to raise and lower backboard.
- (D) Use side scale to set height.  
Goal adjustable from 7-10 feet.
- (E) Re-tighten locking lever.  
Tighten lever until the lift handle plate is firmly against the mast post.  
Tighten an additional 1/4 turn.

### **CAUTION**

Do not overtighten locking lever.  
Damage to threads may occur  
when lever is overtightened.

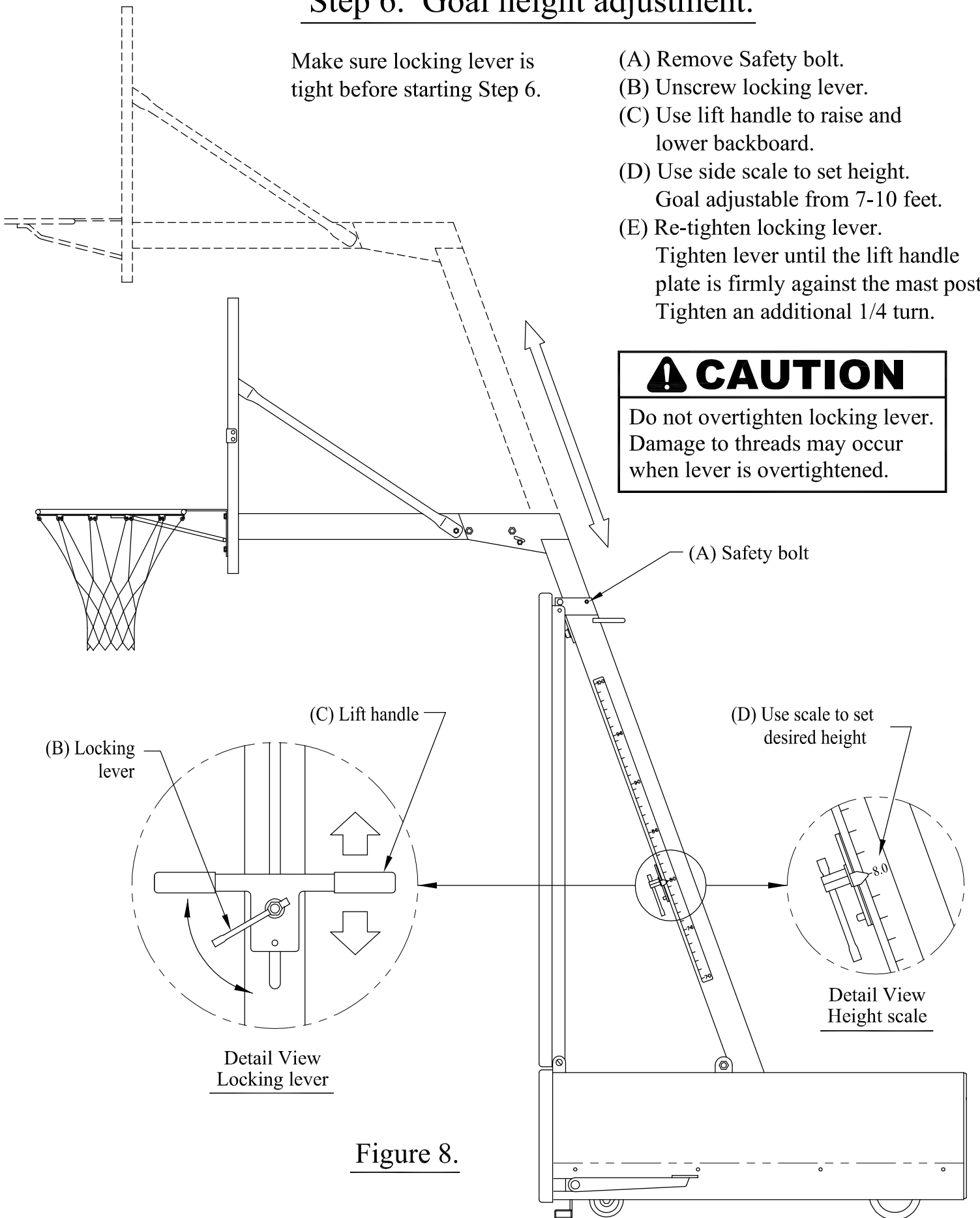


Figure 8.



# Step 7: Folding goal and slide post assembly for storage.

\*NOTE: Please follow step by step procedure for best results.

(A) Loosen 1/2" bolts at boom extension bracket.

(B) Remove front bolt and rotate backboard assembly to down position.

(C) Make sure the 5/16" bolt is in proper position for folding sequence by rotating key on bolt to keep board away from pad. See detail view.

(D) Carefully rotate the slide post assembly to full down position. See fig. 10

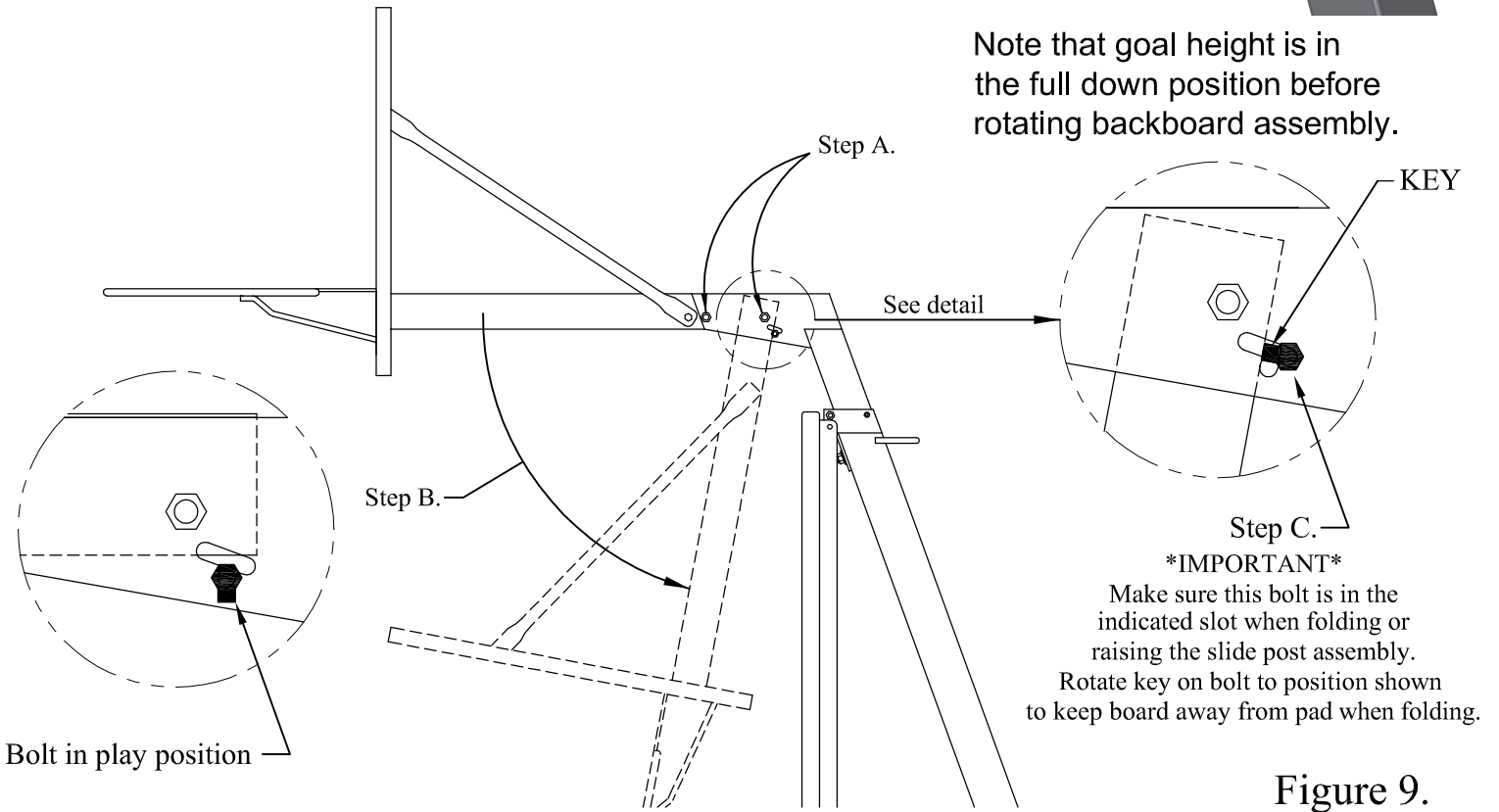
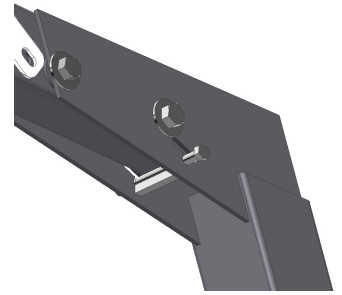


Figure 9.

# Step 8: Storage position.

Backboard assembly in low storage position. See detail view.

\*IMPORTANT\*

Move backboard assembly to this position before rotating slide post assembly to upright position. See step C in fig. 9

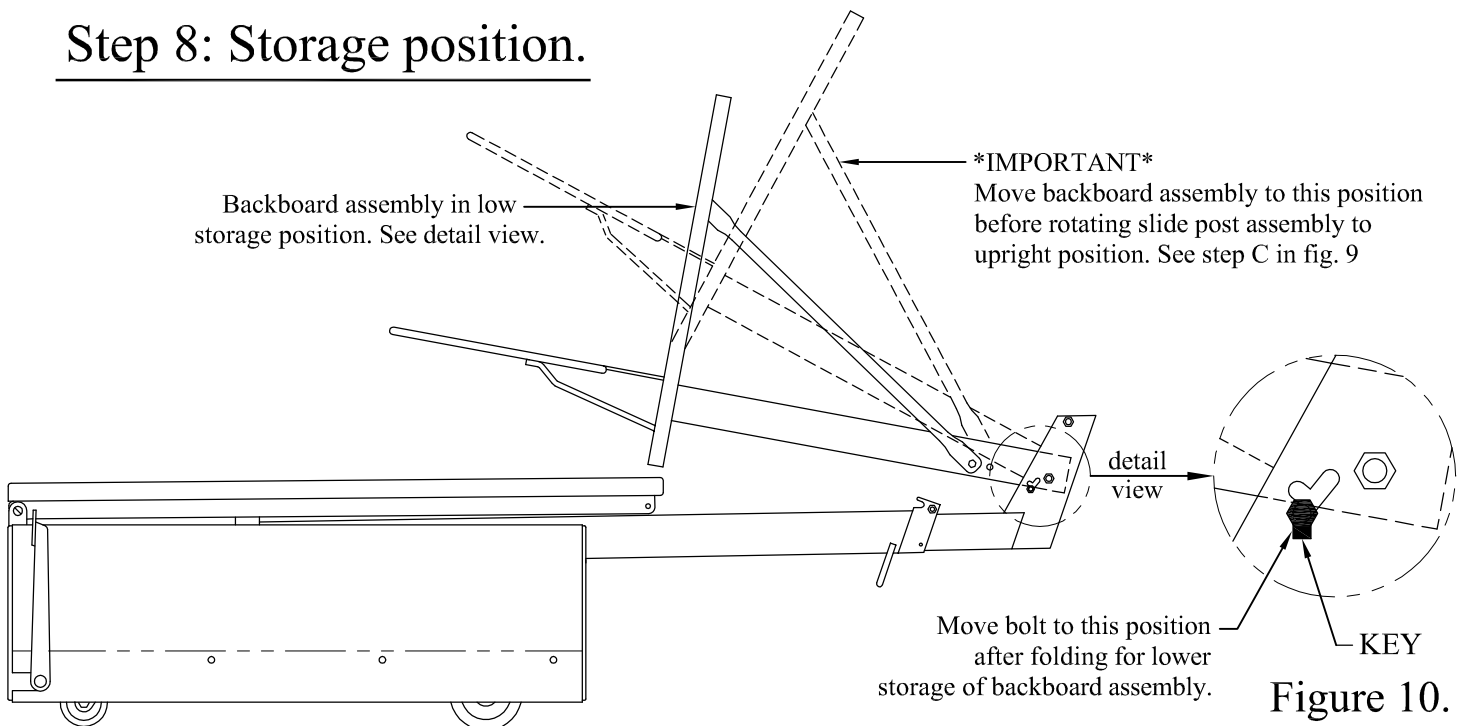


Figure 10.



**Gared Holdings, LLC**

**Performance Sports Systems  
9200 E. 146<sup>th</sup> Street  
Noblesville, IN 46060**

**800-848-8034  
[www.perfsports.com](http://www.perfsports.com)**

**Gared Sports  
707 North 2<sup>nd</sup> Street  
St. Louis, MO 63102**

**800-325-2682  
[www.garedsports.com](http://www.garedsports.com)**