



**-- FSG-2 --  
Installation Instructions**



Call Jaypro Sports Equipment at 1-800-243-0533 during regular business hours for technical support.

[www.jaypro.com](http://www.jaypro.com)

## FSG-2

### PARTS LIST (QTY: SINGLE UNIT)

ITEM	IMAGE	DESCRIPTION	QTY
1		BOTTOM BACKSTAY LEFT <i>FSG67910-3</i>	1
2		BOTTOM BACKSTAY RIGHT <i>FSG67910-4</i>	1
3		SQUARE CROSSBAR <i>FSG67910-6</i>	1
4		FUTSAL GOAL UPRIGHT <i>FSG67910-2</i>	2
5		TOP CROSSBAR <i>FSG67910-5</i>	1
6		BACKSTAY 1.90 DIA <i>FSG-BS1</i>	2
7		FUTSAL GOAL REPLACEMENT NET <i>FSG67910N (COMES IN COLOR WHITE)</i>	1
8		Classic Cast Corner – Machined <i>SG-L</i>	2
9		3/8-16 UNC-Nylon Lock Nut, SS <i>HN5003</i>	8
10		3/8-16 x 3 HEX BUTTON SCREW, SS <i>HS5203</i>	6
11		2" x 2" BLACK SQUARE TUBE CAP <i>EP0018</i>	2
12		3/8" FLT SAE, SS <i>HW2151</i>	8
13		3/8" SPLIT LOCK WASHER, SS <i>HW2152</i>	8
14		3/8-16 x 3/4 HEX BUTTON SCREW, SS <i>HS5228</i>	8
15		3/8-16 x 2-1/2 HEX BUTTON SCREW, SS <i>HS5202</i>	2
16		VELCRO (20 COUNT @ 15 in) <i>SINT-20</i>	1
17		NET CLIPS <i>ENC-824</i>	1/2

**IMPORTANT NOTICE:**

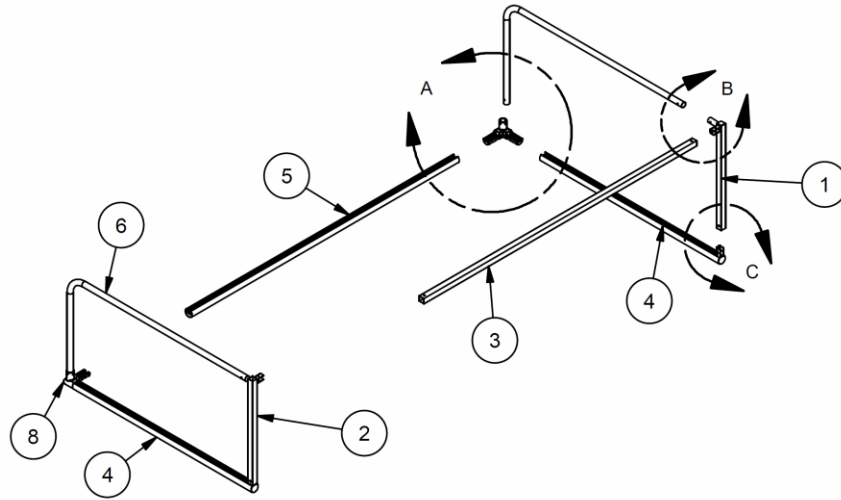
- 1) BEFORE EACH USE CHECK EQUIPMENT FOR PROPER CONNECTING HARDWARE AND STRUCTURAL INTEGRITY. REPLACE DAMAGED OR MISSING HARDWARE IMMEDIATELY.
- 2) NEVER ALLOW ANYONE TO CLIMB OR HANG ON THE NET OR GOAL FRAME. AS SERIOUS INJURY OR DAMAGE TO THE EQUIPMENT MAY OCCUR.
- 3) USE OF THIS EQUIPMENT OTHER THAN INTENDED, MAY BE HAZARDOUS.
- 4) ALTERATION OR MODIFICATION OF THIS EQUIPMENT MAY BE HAZARDOUS AND RESULT IN INJURY. FOR REPAIR OR REPLACEMENT, CONTACT YOUR DEALER OR JAYPRO SPORTS.

**Tools Require:**

- 1 Rubber Mallet
- 1 9/16" Socket Wrench or Box Wrench
- 1 7/32" Allen Wrench

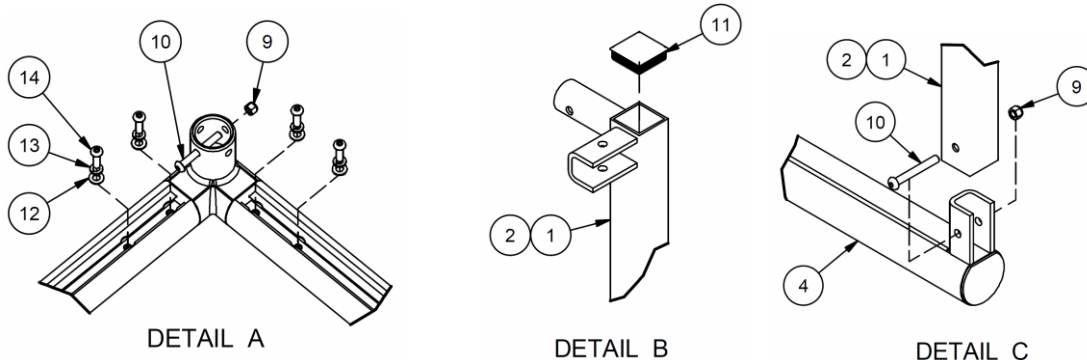
- Unpack all parts and check against parts list to ensure that all have been included.
- Inspect all parts for damage. Report any damages to the trucking company.
- Tools required: tape measure, step ladder
- \* Extra screws are included, discard or stow away as needed.

**ASSEMBLY (REQUIRES 2 PEOPLE):**

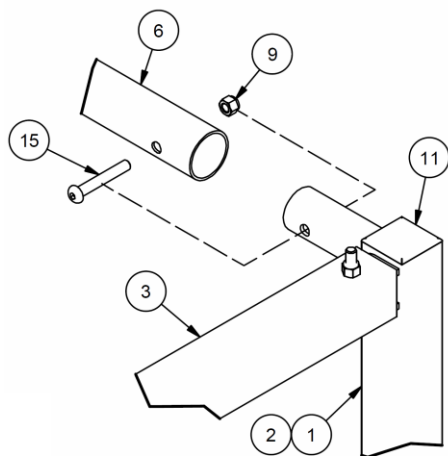
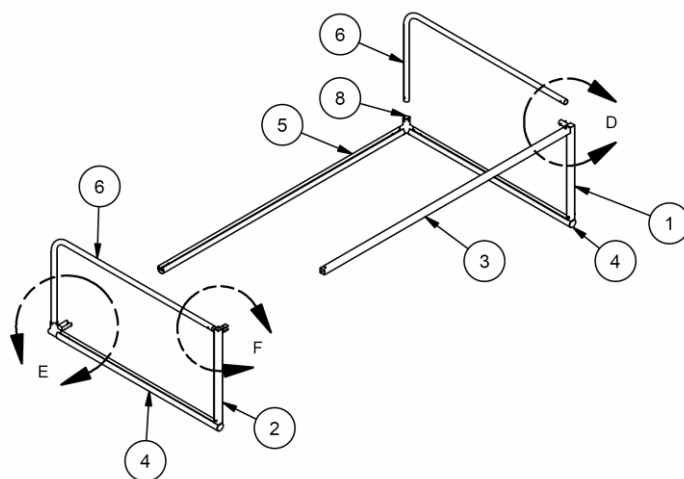


**FIGURE 1**

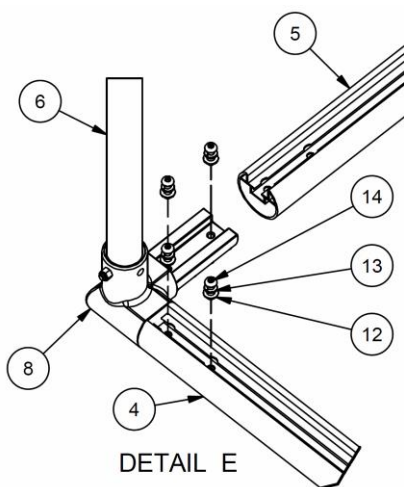
- 1) Unpack all parts and check against parts list to ensure that all parts have been included.
- 2) inspect for damage. Report all damages to trucking company.
- 3) Lay parts out on clean dry floor as shown in figure 1.



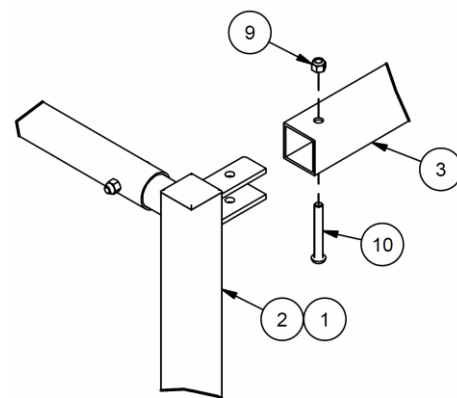
- 4) Assemble corner (item 8) with upright (item 4) do not add hardware at this time. See detail a.
- 5) Install end cap using rubber mallet to bottom backstay (item 1 & 2) see detail b.
- 6) Assemble the backstay (item 6) into the hub of the corner fitting (item 8) using 2-1/2" long screw.
- 7) Assemble bottom backstay (item 1) to assembled corner and upright. See detail c, do not add hardware.
- 8) With the help of a second person assemble the backstay (item 6) you may need to lift up on the bottom backstay to fit together. Now add the bolts, washers or nuts as shown in details a, c, and d; do not tighten hardware completely yet.
- 9) Repeat steps 4, 5, 6 and 8 to assemble upright on opposite side.



DETAIL D



DETAIL E



DETAIL F

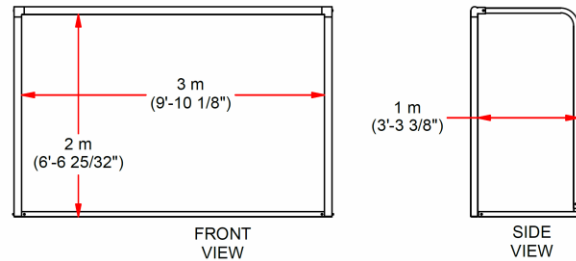
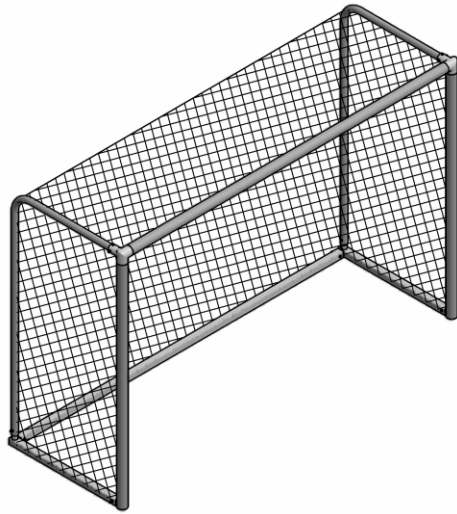
10) Slide top crossbar (item 5) into corner and install hardware shown in detail e, do not tighten bolts completely.

11) Assemble opposite upright to crossbar with hardware shown in detail e and again do not tighten bolts completely.

12) With the help of a second person assemble the square bottom crossbar (item 3) to the bottom backstays using hardware shown. See detail f again do not tighten the hardware completely.

13) Cut and apply anti-skid pad to bottom surfaces of upright, bottom backstays and square bottom crossbar.

14) With the help of a second person stand the goal up-right.



15) Square the frame and tighten all hardware. Start by aligning the corner piece with the upright extrusion and closing any gap between the corner and the upright. Now tighten the two screws furthest from the corner hub. Once they are secure you can tighten the bolt closest to the corner hub. Follow this same procedure for securing the crossbar to the corner piece. Once the corners are secured the rest of the goal hardware can be tightened down.

16) Layout net and identify corners. Drape net over or under frame and attach using velcro strips cut at 12 inches long each and spaced approximately 12 inches apart.