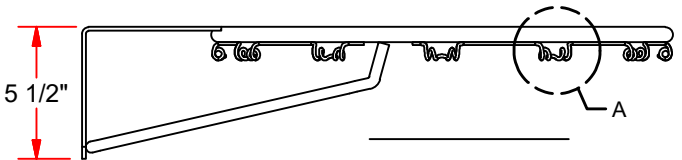
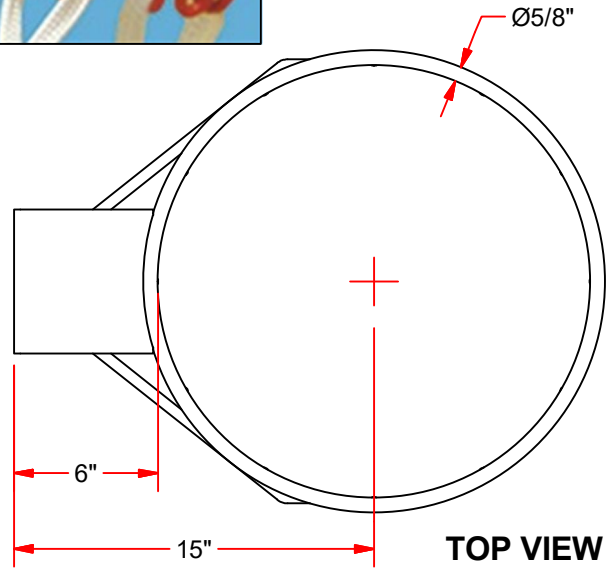
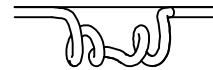




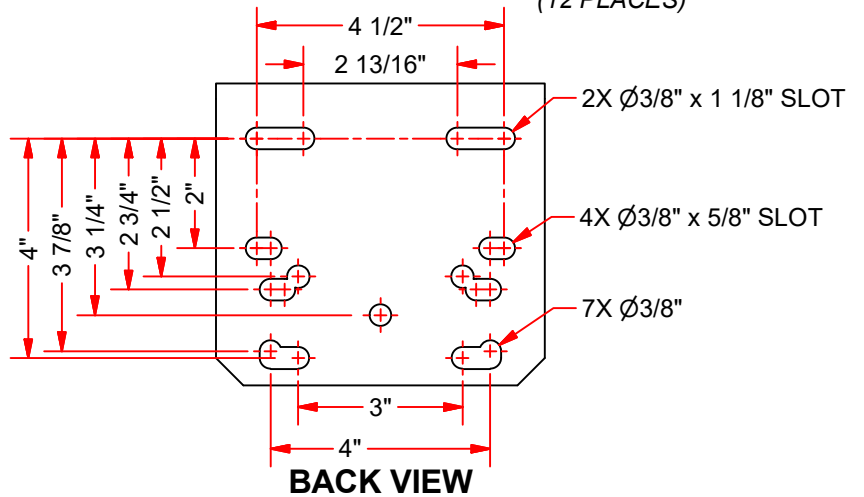
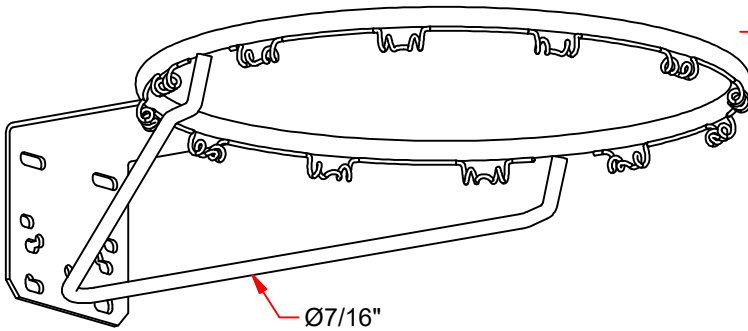
G-35 ECONOMY SINGLE RIM FIXED GOAL



SIDE VIEW



**DETAIL A
PIG TAIL NET ATTACHMENT SYSTEM
(12 PLACES)**



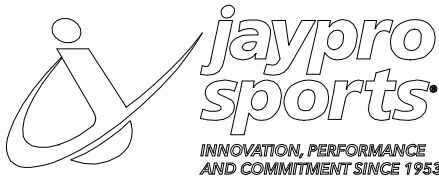
PROJECT NAME _____

PROJECT NUMBER _____

ARCHITECT _____

CONTRACTOR _____

NOTES _____



G-35

ECONOMY SINGLE RIM FIXED GOAL

© COPYRIGHT 2015 JAYPRO SPORTS, LLC. ALL RIGHTS RESERVED
THIS PRINT IS THE PROPERTY OF JAYPRO SPORTS, LLC. AND MAY
NOT BE REPRODUCED WITHOUT WRITTEN PERMISSION

www.jaypro.com
(800) 243-0533
976 Hartford Turnpike
Waterford, CT 06385 USA



SPECIFICATION SHEET

Official size Basketball Goal is manufactured from 5/8" diameter steel rod. Bracing of the ring is by 7/16" diameter steel brace welded to the underside of the ring. 12 Loop net attachment system located on the underside of the ring to secure the anti-whip net (included) to the underside of the ring. The ring shall be 18" inside diameter and offset from the face of the backboard, by 6", with a goal mounting flange. The entire ring shall be powder coated in orange.

The attachment mechanism shall position the inside of the ring 6" from the face of the backboard. The complete goal shall be finished in a durable orange finish. Comes complete with mounting hardware, the G-35 incorporates an universal mounting plate that adapts to the majority of backboards sold.

WARRANTY

The G-35 Economy Single Rim Fixed Goal shall have a limited warranty for a period of (3) three years.