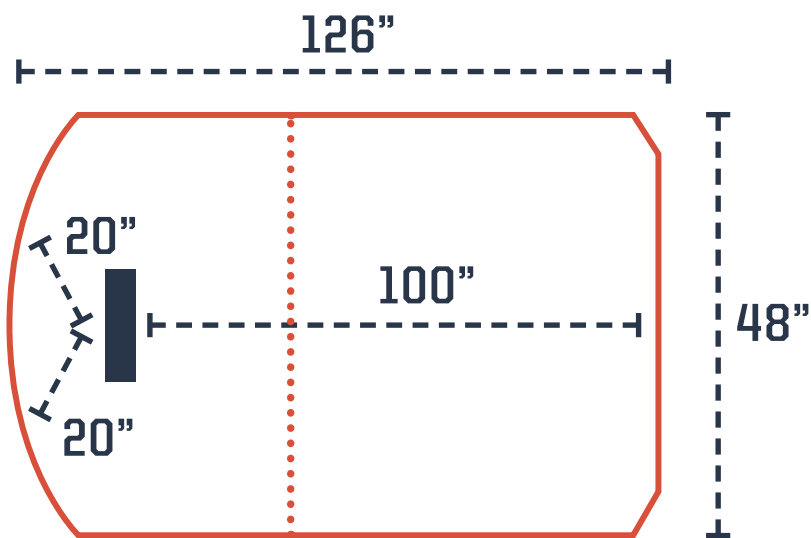


OFFICIAL CUT SHEET

# 2 PIECE STANDARD PRACTICE MOUND



800.315.8115  
INFO@PORTOLITE.COM

ITEM TPM1150COLOR2PC

CATEGORY Game Mounds



HIGH DENSITY  
FOAM CORE



INCAPSULATED IN  
SUPER LIGHT  
WEIGHT FIBERGLASS



COATED POLYUREA

## Product Features

- Removable Pitch Pad
- Removable Rubber
- 100" in front of rubber

## Product Specifications

Dimensions	10"H x 10'6"L x 4"W
Weight	40 / 55 lbs. per section
SpikeTek	Spikes prevents movement
Turf	Clay, Green, Tan, Red, Brown